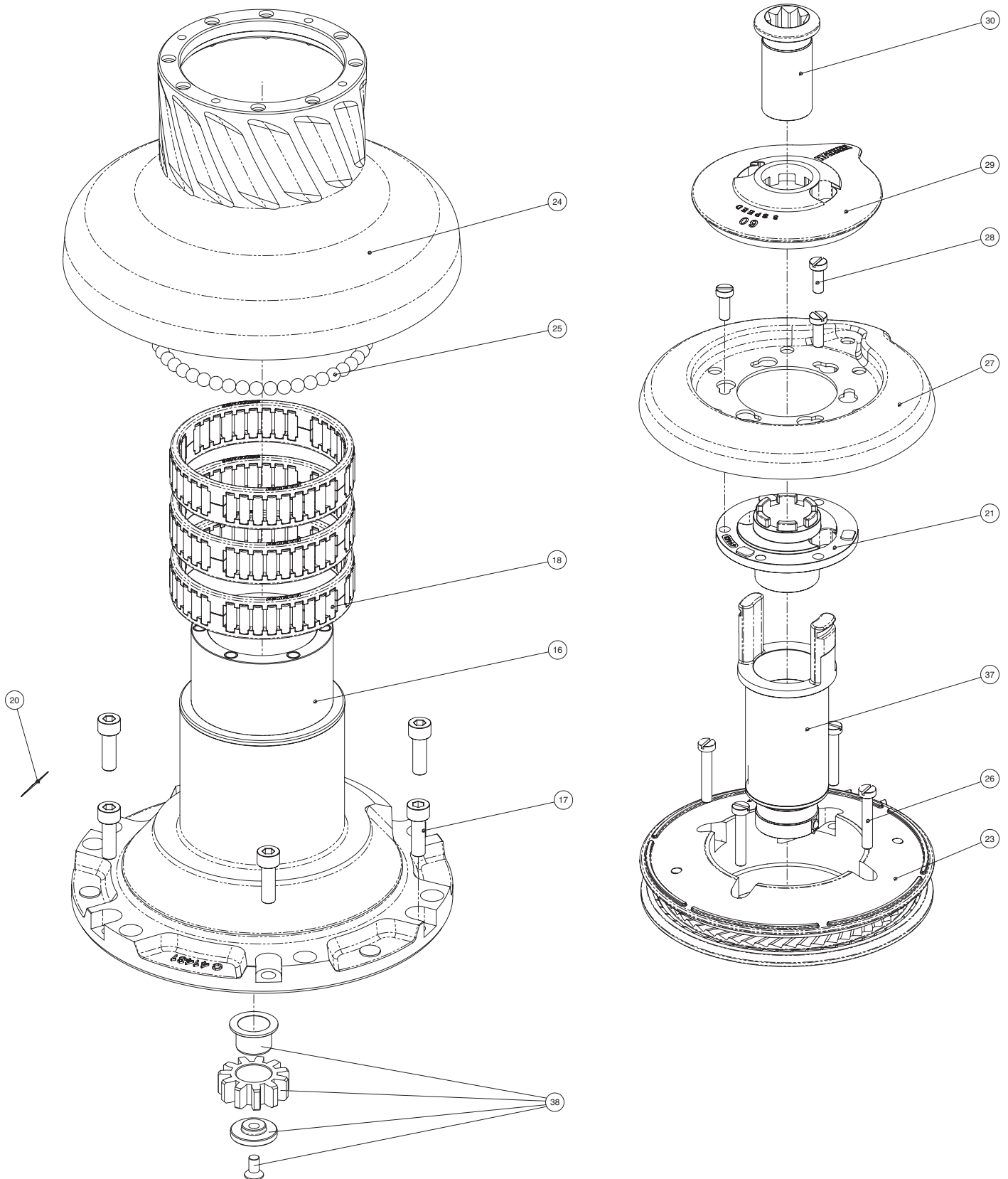
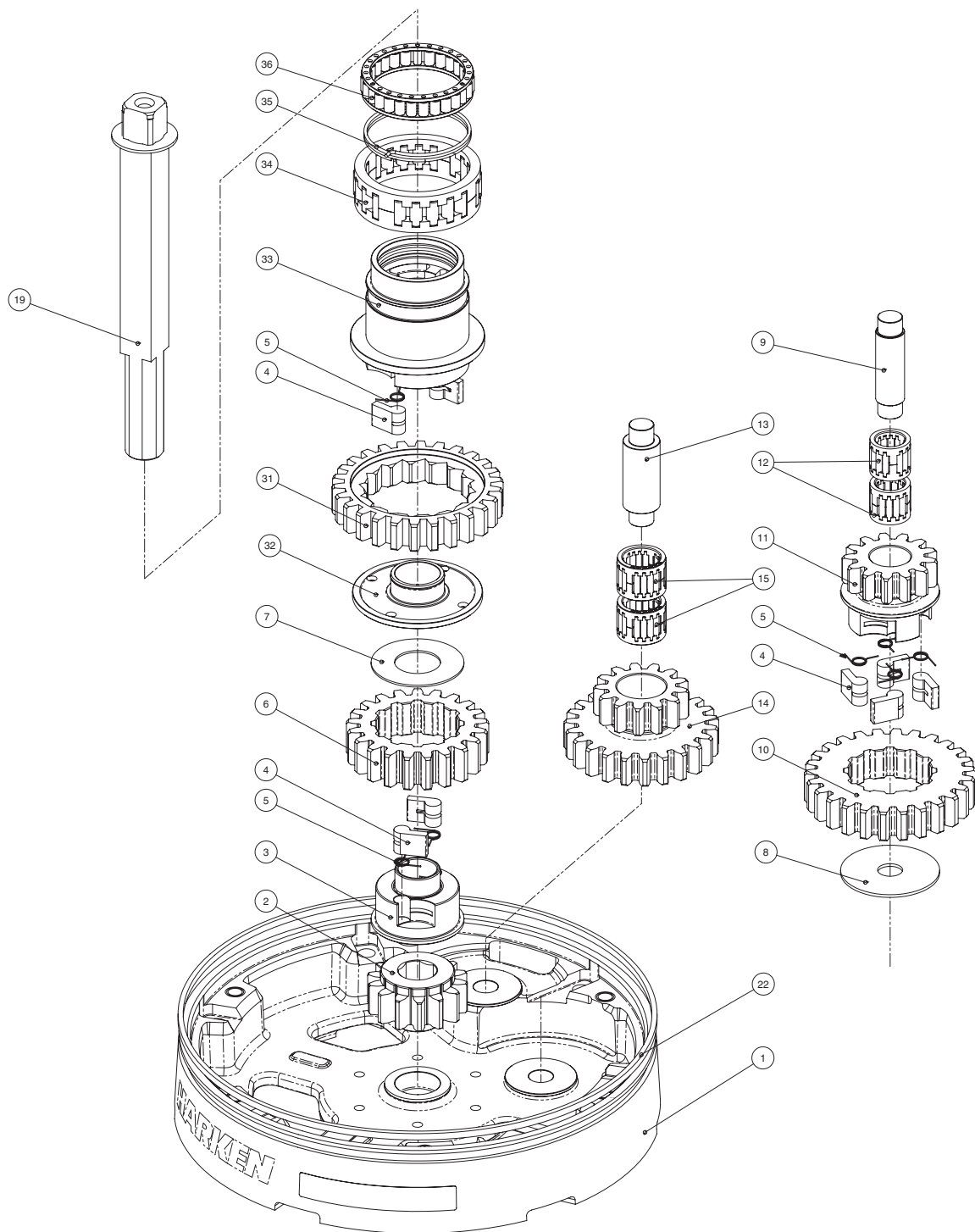


Exploded view

Radial Winch 60.3 STA, STC, STCW



Radial Winch 60.3 STA, STC, STCW

Radial Winch 60.3 STC

C=drum in chrome bronze

Pos.	Q.ty	Code	Description	Pos.	Q.ty	Code	Description
1	1	A94143000	Assy Base Winch 60 <i>Base W60</i> <i>Heli-coil M8x10</i>	22	1	S281700097	Red line
	1	S476030004	<i>Centering bushing Ø12</i>	23	1	A94143500	Assy Jaws Winch 60 <i>Lower Jaw W60</i> <i>Upper Jaw W60</i>
	1	S4152300A7	<i>Bushing Ø22xØ25x9.5</i>		1	S414850080	<i>Peeler W60 - 70</i>
	2	S415580085	<i>Bushing Ø12xØ35x9</i> <i>Winch Product Sticker**</i>		4	S385970001	<i>SPRING</i>
2	1	S414400004	Gear Z14 W60	24	1	A74143400	Drum Assembly W60 C
3	1	S413030004	Pawls Carrier Ø8xN2	25	47	M0610280	Ball 5/16"
4	8	S000080003	Pawl Ø8*	26	4	M0601803	Screw UNI EN ISO 1207:1996 - M6x35 - A4
5	8	S000380001	Pawl Spring Ø8*	27	1	S414460019	Stripper arm Winch 60
6	1	S414390041	Ratchet Gear Z21xN2	28	3	M0601903	Screw M6x16 UNI1207
7	1	S413120002	Washer Ø22.5xØ45x1	29	1	S4167500B1	Cover 3 Speed W60
8	1	S278170002	Washer Ø12.5xØ48x1.5	30	1	A94154700	Assy Socket 3speed <i>Socket Handle 3 speed</i>
9	1	S281010004	Pin for gear		1	S415130085	<i>Washer Ø7.7xØ25x5.8</i>
10	1	S414420041	Ratchet Gear Z26xN4		1	M0614303	<i>Screw M8x20 UNI 6109</i>
11	1	S414410004	Pawls Carrier Gear Z13 N4	31	1	S280870041	Gear 1V
12	2	A72821800	Roller Bearing 14/20/18	32	1	S414580081	Shim Bushing 3 speed
13	1	S416030004	Gear Pin Ø12xØ18x52,5	33	1	S415400004	Pawls Carrier 3 speed
14	1	S414480004	Idler and Pinion Z23/Z13 W60	34	1	A73129200	ROLLER BEARING 50-62-20 ERTA P
15	2	A74162300	Roll bearing 24x18x18	35	1	S377510001	Clutch Spring
16	1	A94190800	Assy Housing Winch 60.3 <i>Housing W60</i>	36	1	A73422600	Bearing Ø45xØ55x12
	2	S415580085	<i>Bushing Ø12xØ35x9</i>	37	1	A94158000	Assy Clutch 3rd speed W60 <i>Assy Command tube W60</i>
	1	S415810081	<i>Heli-coil M6x9</i> <i>Bushing</i>		1	S415420004	<i>Dog Clutch 3 speed</i>
17	6	M0606303	Screw M8x25 UNI 5931		2	M6009463	<i>Spring loaded ball plunger Ø6</i>
18	3	A74145000	Roller Bearing Ø95xØ107x26	38	1	A94145300	Assy Gear 3rd speed <i>Idler Gear 3 speed</i>
19	1	A94143800	Assy Shaft Winch 60 <i>Central shaft W60 ST</i>		1	S414530004	<i>Bushing Ø22/Ø25x15.5</i>
	1	S413880002	<i>Washer Ø17.2xØ32x1.5</i>		1	S414550081	<i>Washer 3 speed</i>
20			Winch Serial Number Sticker		1	S414540080	<i>Washer 3 speed</i>
21	1	S4155700A0	Stripper arm support		1	M0604003	<i>Screw M6x12 UNI 5933</i>

*Available with service kit; see website www.harken.com

**Winch product sticker

