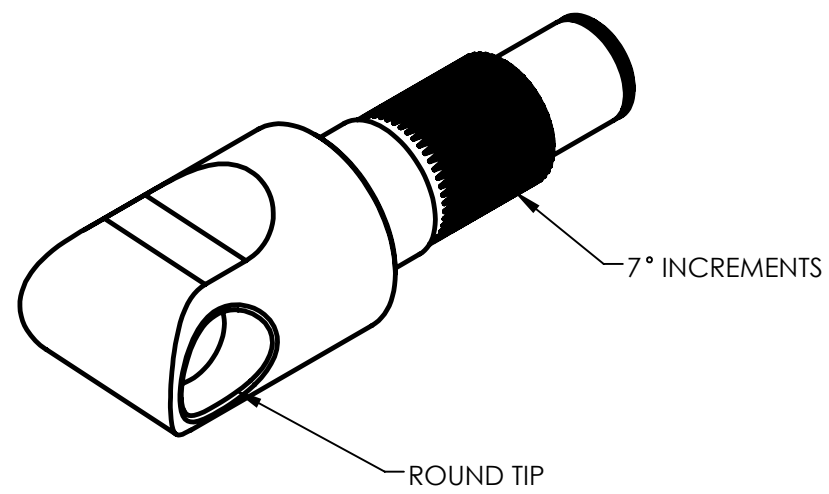
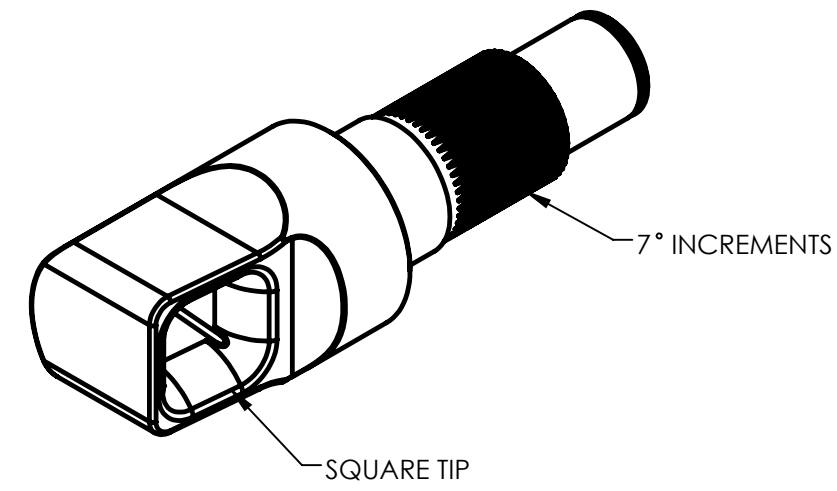


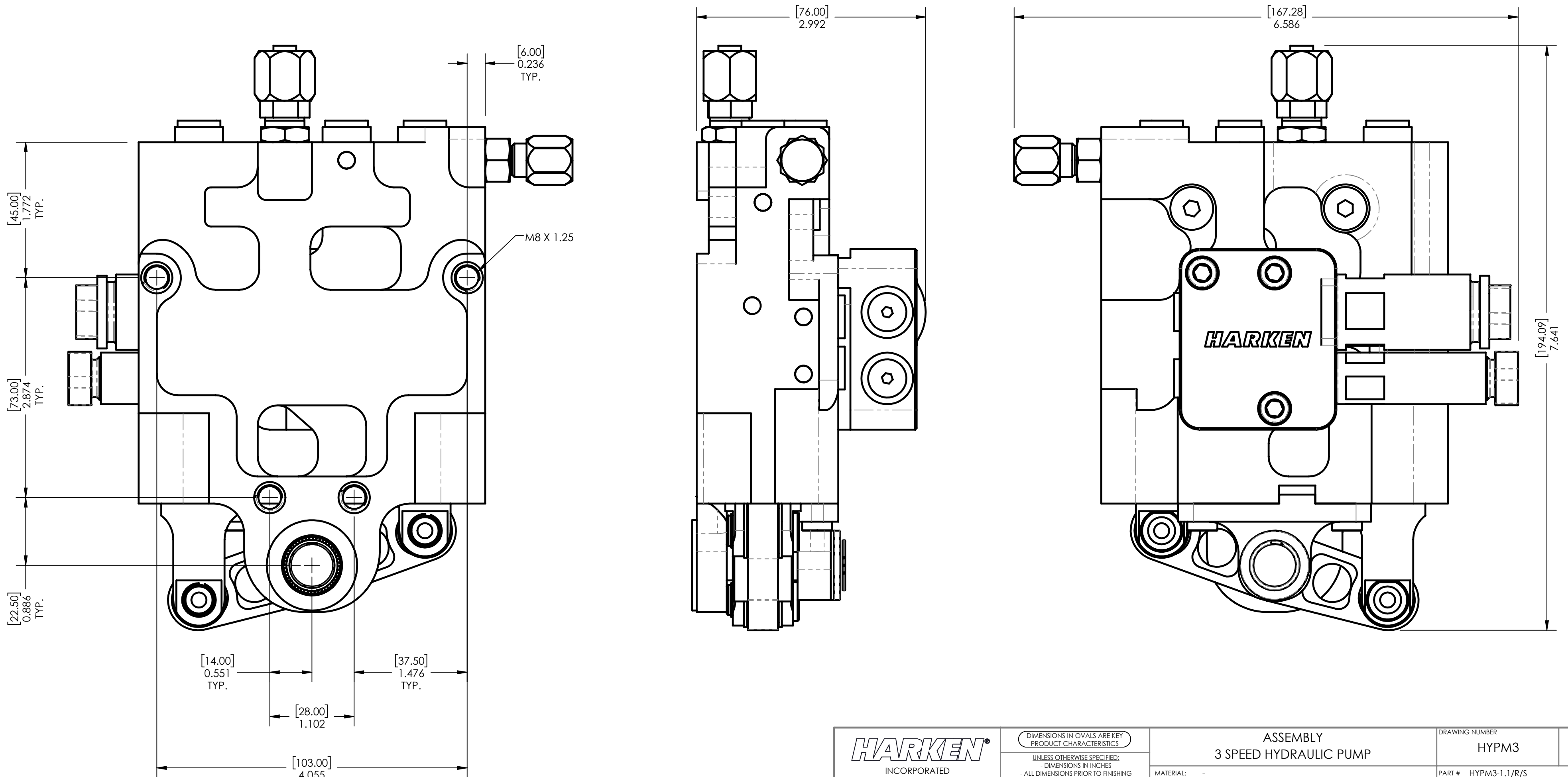
NOTE: PUMP REQUIRES FOUR M8 FASTENERS FOR MOUNTING



HYPM3-1.1R
SHAFT



HYPM3-1.1S
SHAFT



<p>HARKEN INCORPORATED</p> <p>N15 W24983 Bluemound Road Pewaukee, Wisconsin 53072 Tel: 262-691-3320 Fax: 262-691-3807 www.harken.com</p>	<p>DIMENSIONS IN OVALS ARE KEY PRODUCT CHARACTERISTICS</p> <p>UNLESS OTHERWISE SPECIFIED: - DIMENSIONS IN INCHES - ALL DIMENSIONS PRIOR TO FINISHING - REMOVE ALL BURRS AND BREAK SHARP EDGES WITH 0.010 MAX RADIUS OR CHAMFER</p> <p>TOLERANCES UNLESS OTHERWISE SPECIFIED:</p> <p>DECIMAL: ± - RADIUS: ± - HOLE DIA: ± - CHAMFER: ± - ANGULAR: ± - SURFACE FINISH: ✓</p>	<p>ASSEMBLY 3 SPEED HYDRAULIC PUMP</p>		DRAWING NUMBER	REV.
		<p>MATERIAL: - FINISH: -</p> <p>© The designs, constructions, arrangements, disclosures and devices illustrated in presentations bearing this note are the property of Harken, Inc. Pewaukee, WI and are submitted in confidence with the understanding that such material shall not be utilized in any way by any party without prior written consent from Harken, Inc.</p>		<p>HYPM3</p> <p>3</p>	<p>3</p>
		<p>PART # HYPM3-1.1/R/S</p>	<p>SHEET NUMBER: 2/2</p>	<p>SCALE: 1:1</p>	
		<p>DRAWN BY: ORLY</p>	<p>DATE: 6/11/2009</p>		
		<p>ENG. APR: CJL</p>	<p>DATE: 7/20/2010</p>		
		<p>MFG. APR: -</p>	<p>DATE: -</p>		