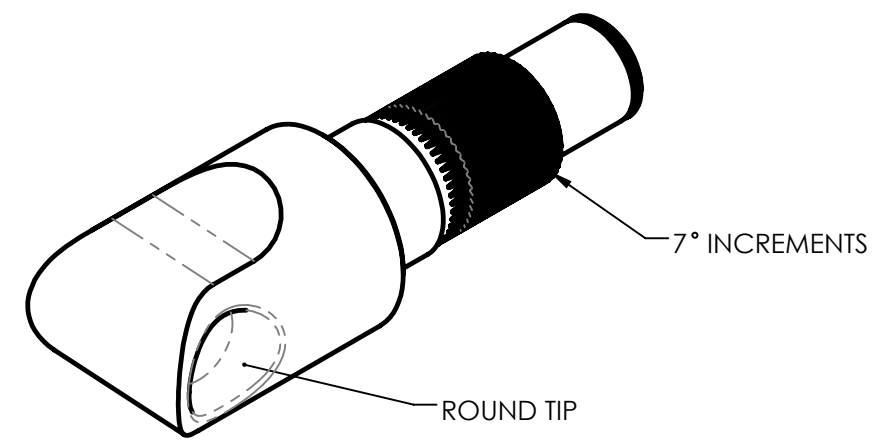
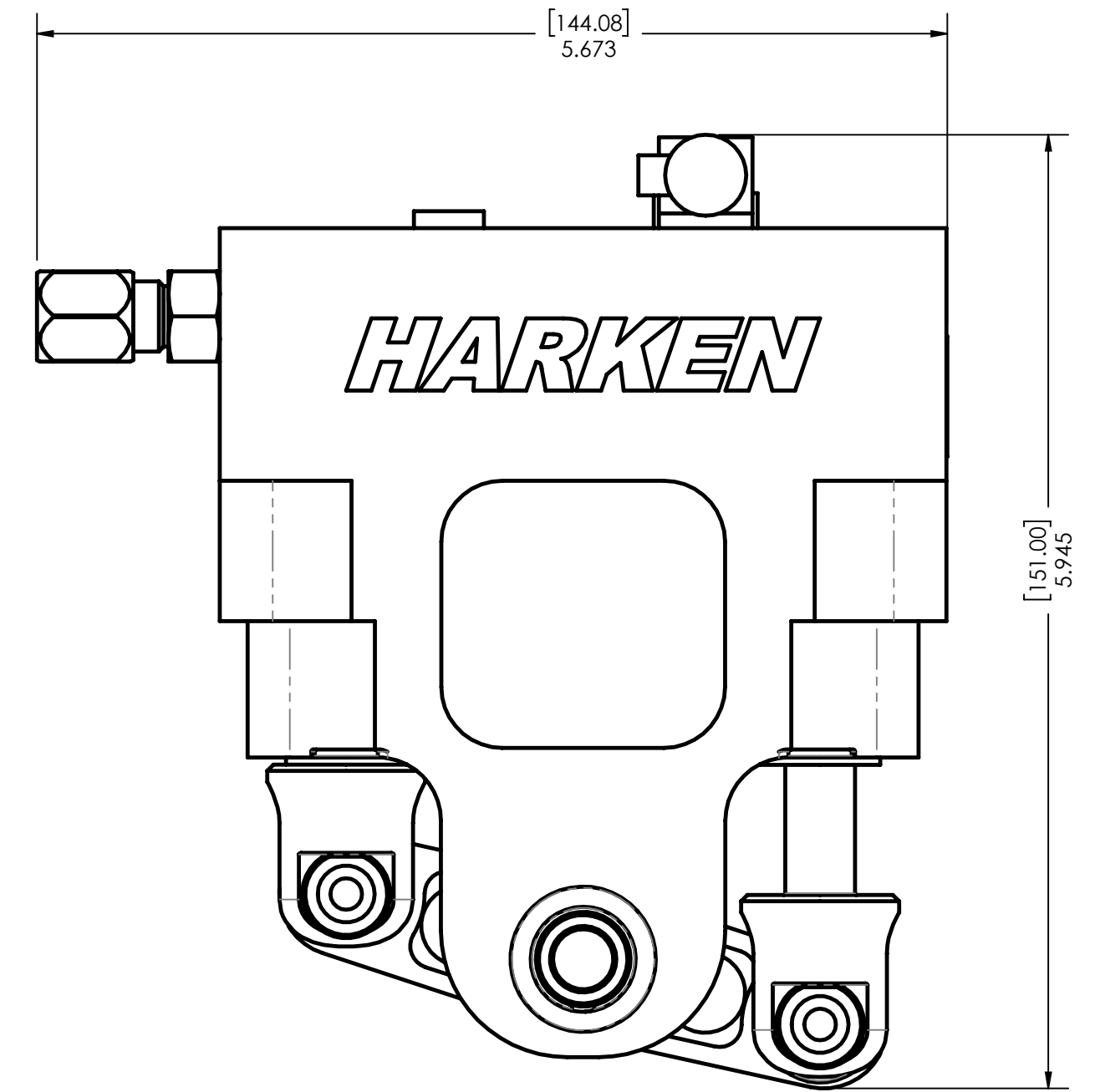
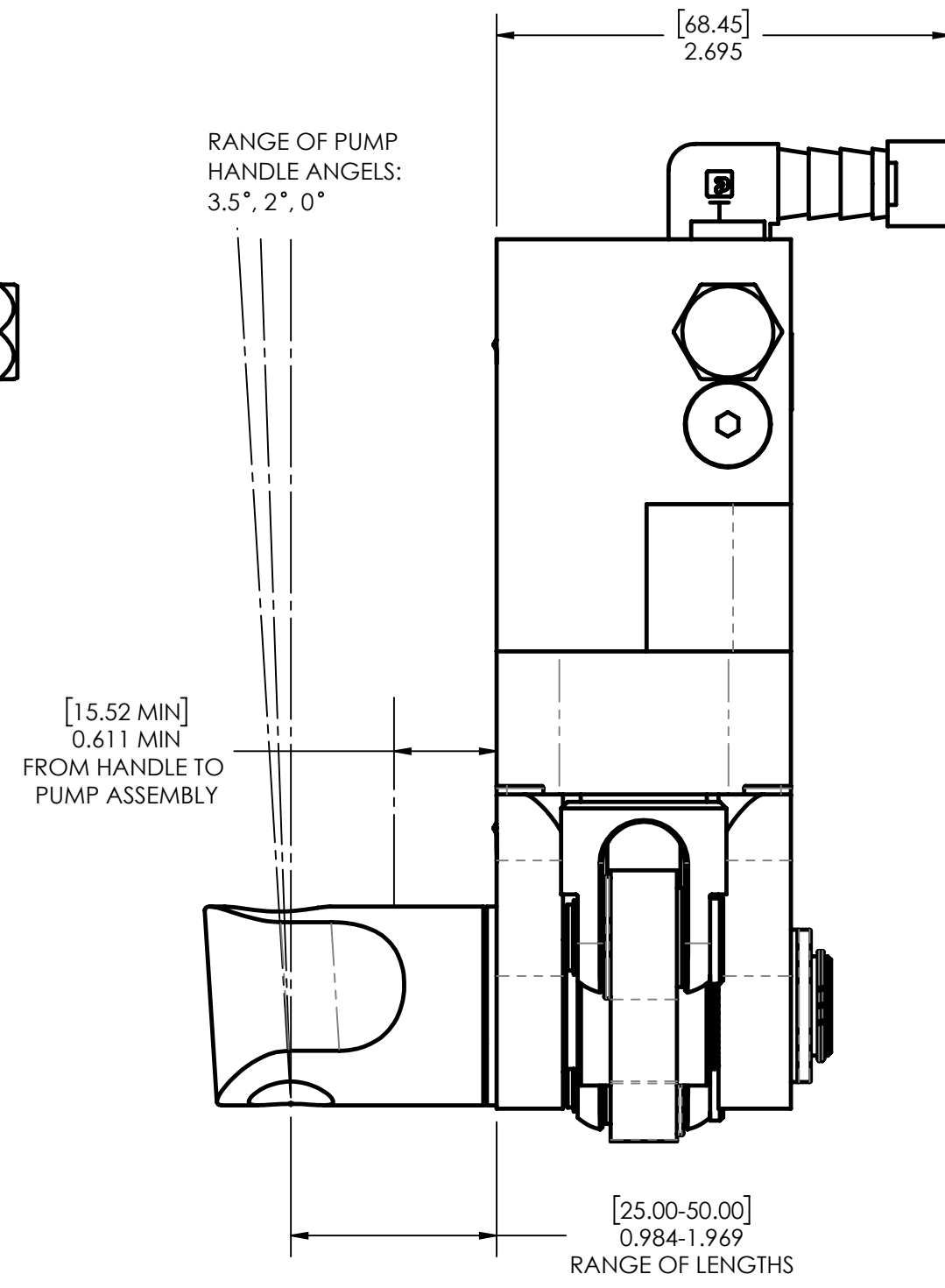
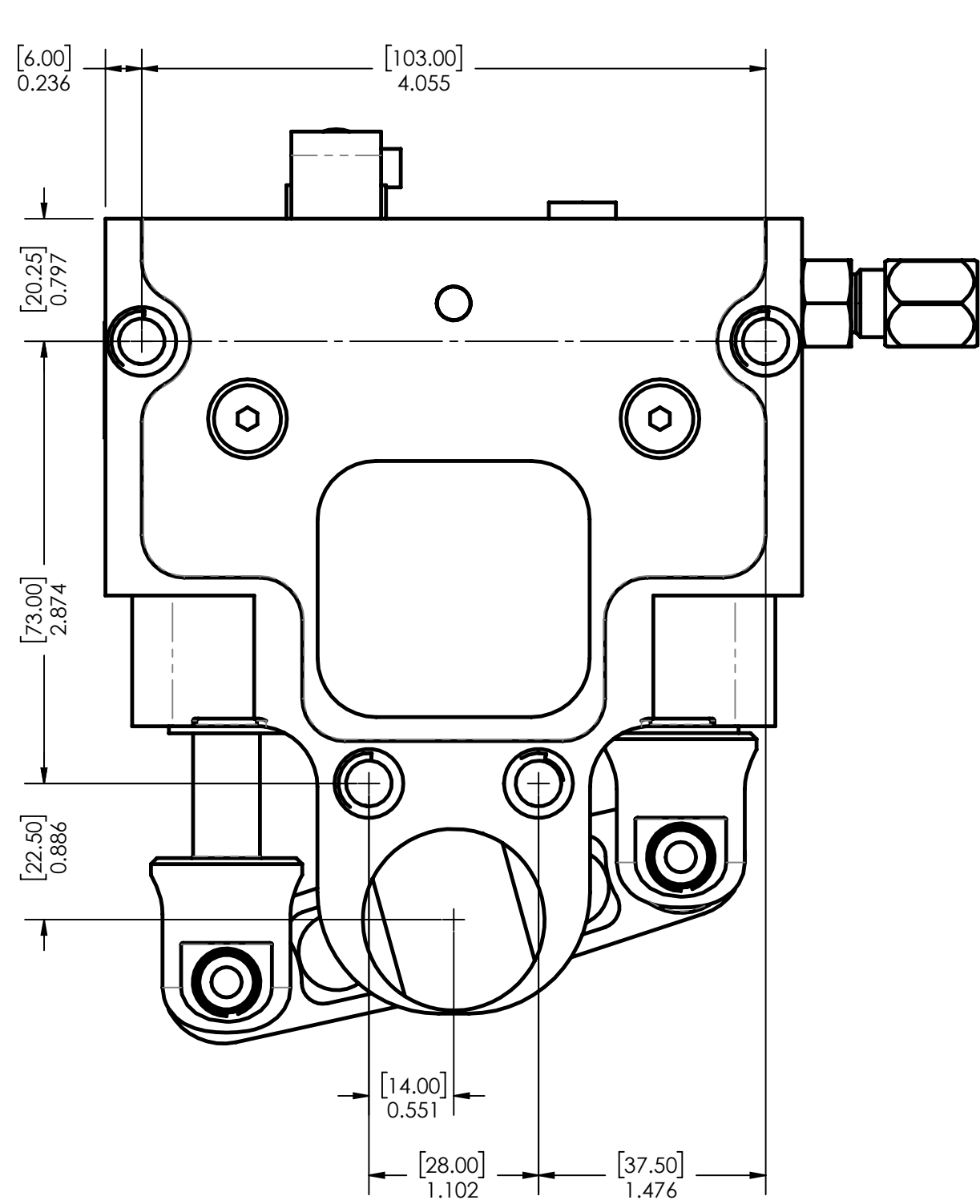


NOTE:
 • MOUNT WITH FOUR M8 X 1.25 FASTENERS.



 HARKEN INCORPORATED N15 W24983 Bluemound Road Pewaukee, Wisconsin 53072 Tel: 262-691-3320 Fax: 262-691-3807 www.harken.com	DIMENSIONS IN OVALS ARE KEY PRODUCT CHARACTERISTICS UNLESS OTHERWISE SPECIFIED: - DIMENSIONS IN INCHES - ALL DIMENSIONS PRIOR TO FINISHING - REMOVE ALL BURRS AND BREAK SHARP EDGES WITH 0.010 MAX RADIUS OR CHAMFER	ONE-SPEED MANUAL PUMP ASSEMBLY MANUAL PUMP		DRAWING NUMBER HYPM1	REV. 1
	TOLERANCES UNLESS OTHERWISE SPECIFIED: DECIMAL: ± - RADIUS: ± - HOLE DIA: ± - CHAMFER: ± - ANGULAR: ± - SURFACE FINISH: ✓	MATERIAL: VARIOUS FINISH: -	PART # HYPM1 SHEET NUMBER: 3/3 SCALE: 1:1		DRAWN BY: BLB DATE: 8/7/2012 ENG. APR: GSW DATE: 2/18/2013 MFG. APR: - DATE:

© The designs, constructions, arrangements, disclosures and devices illustrated in presentations bearing this note are the property of Harken, Inc. Pewaukee, WI and are submitted in confidence with the understanding that such material shall not be utilized in any way by any party without prior written consent from Harken, Inc.