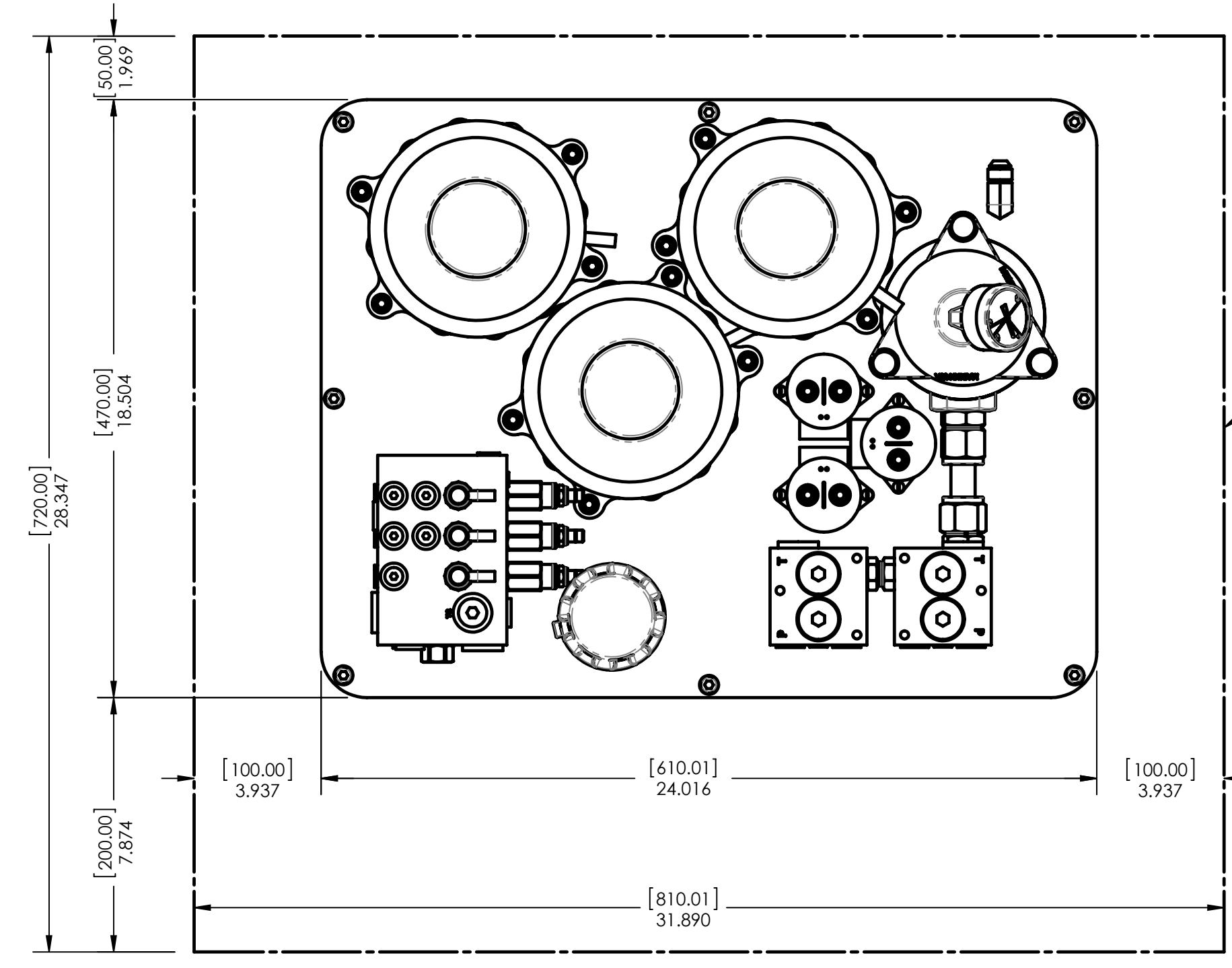
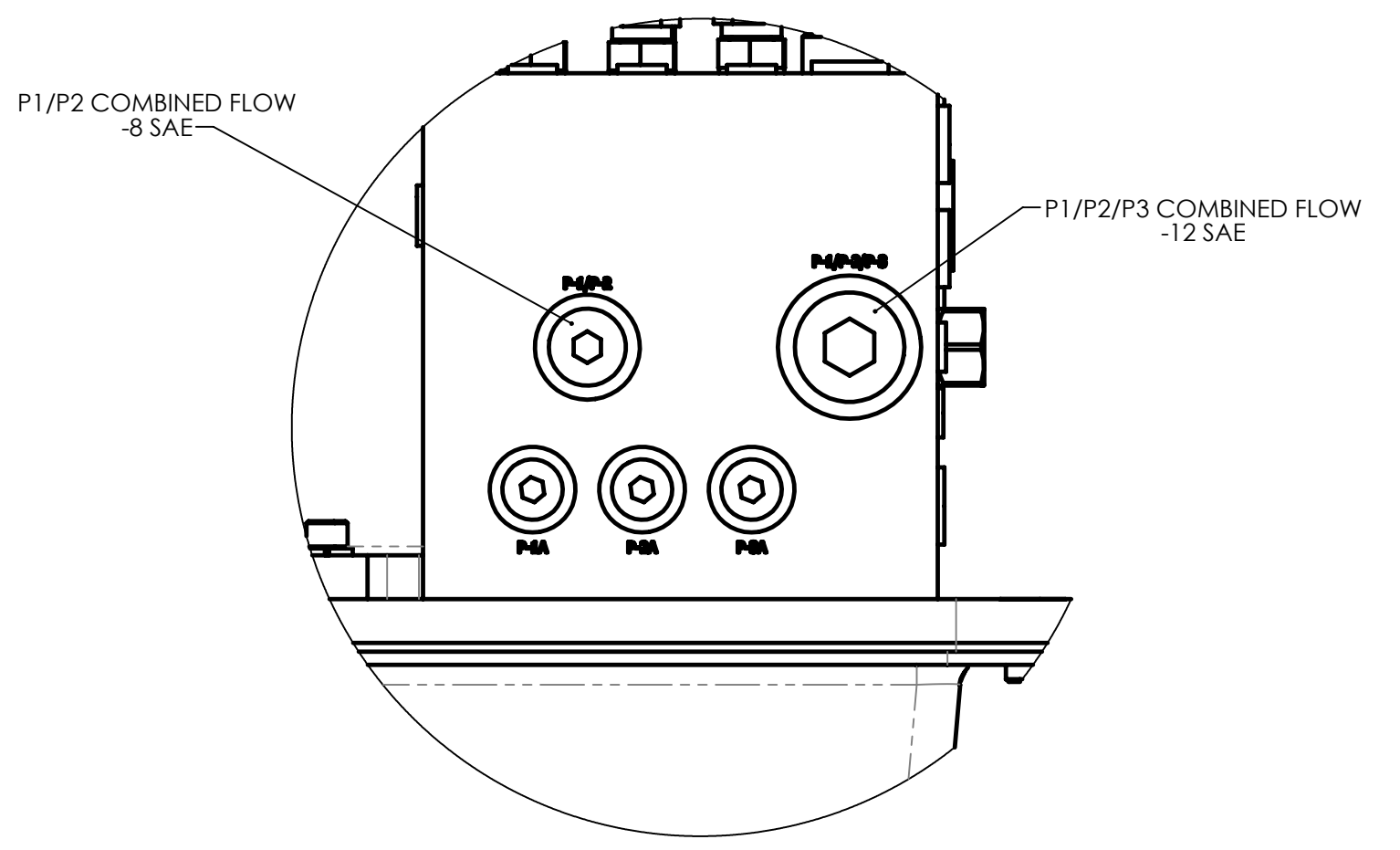
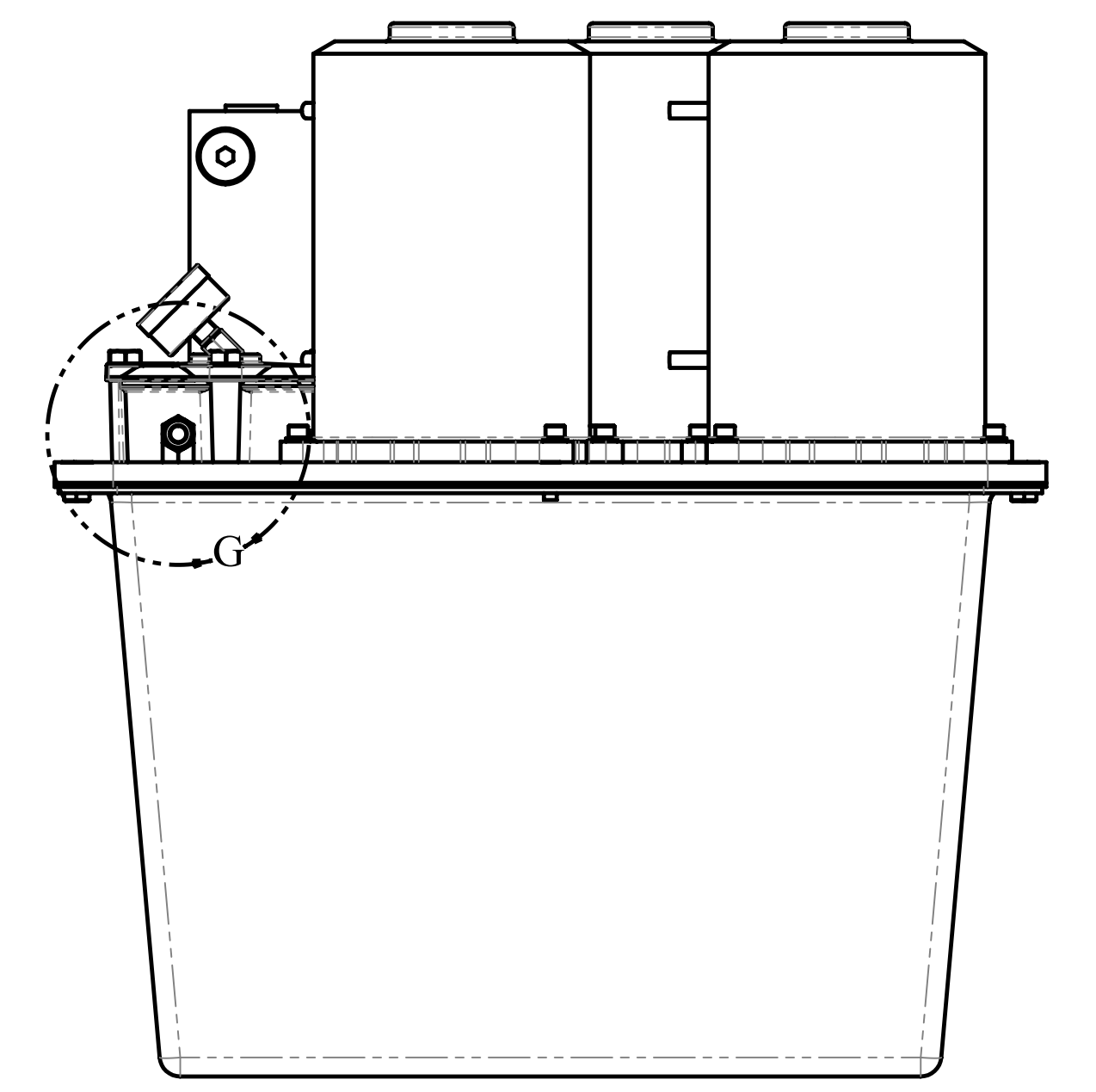
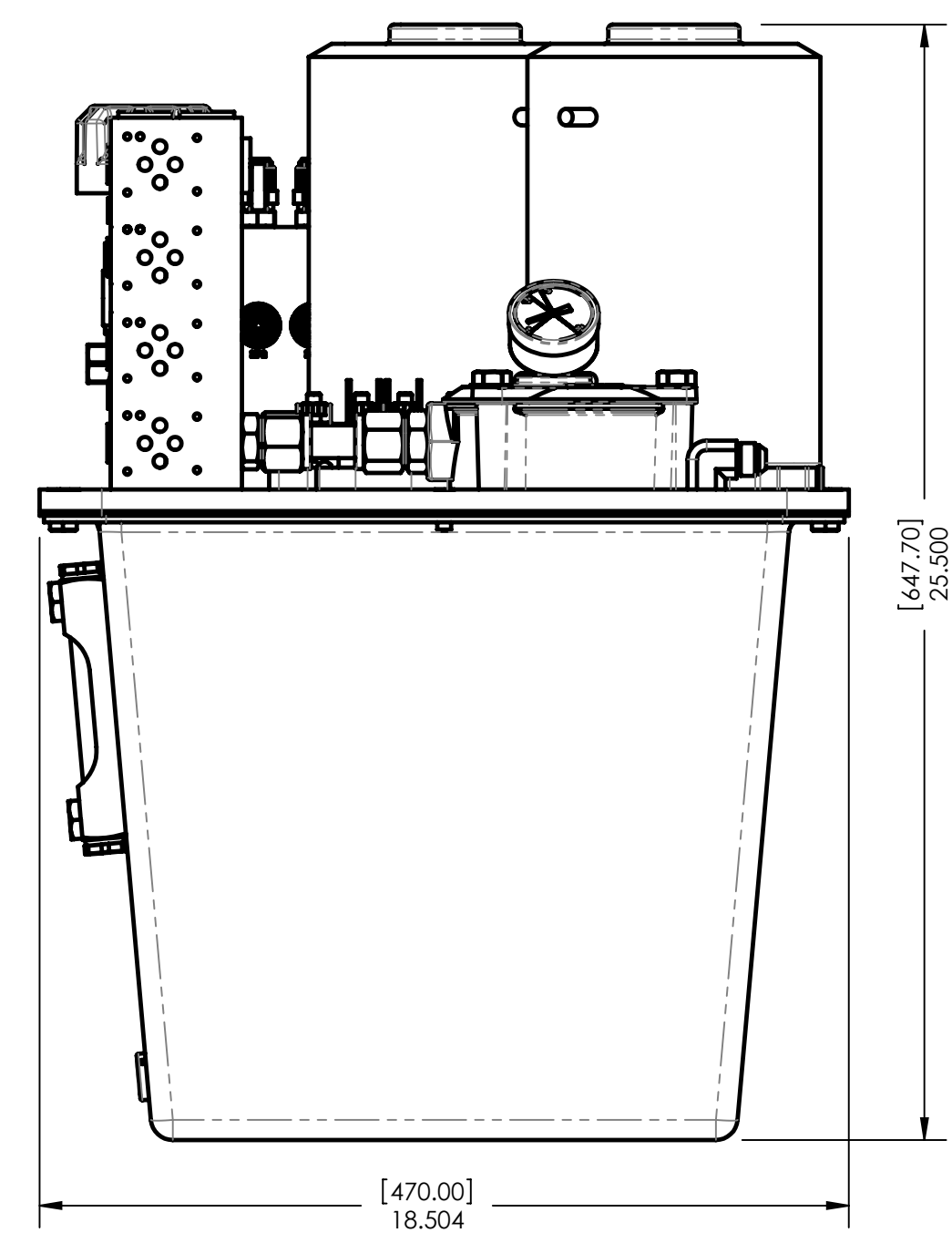
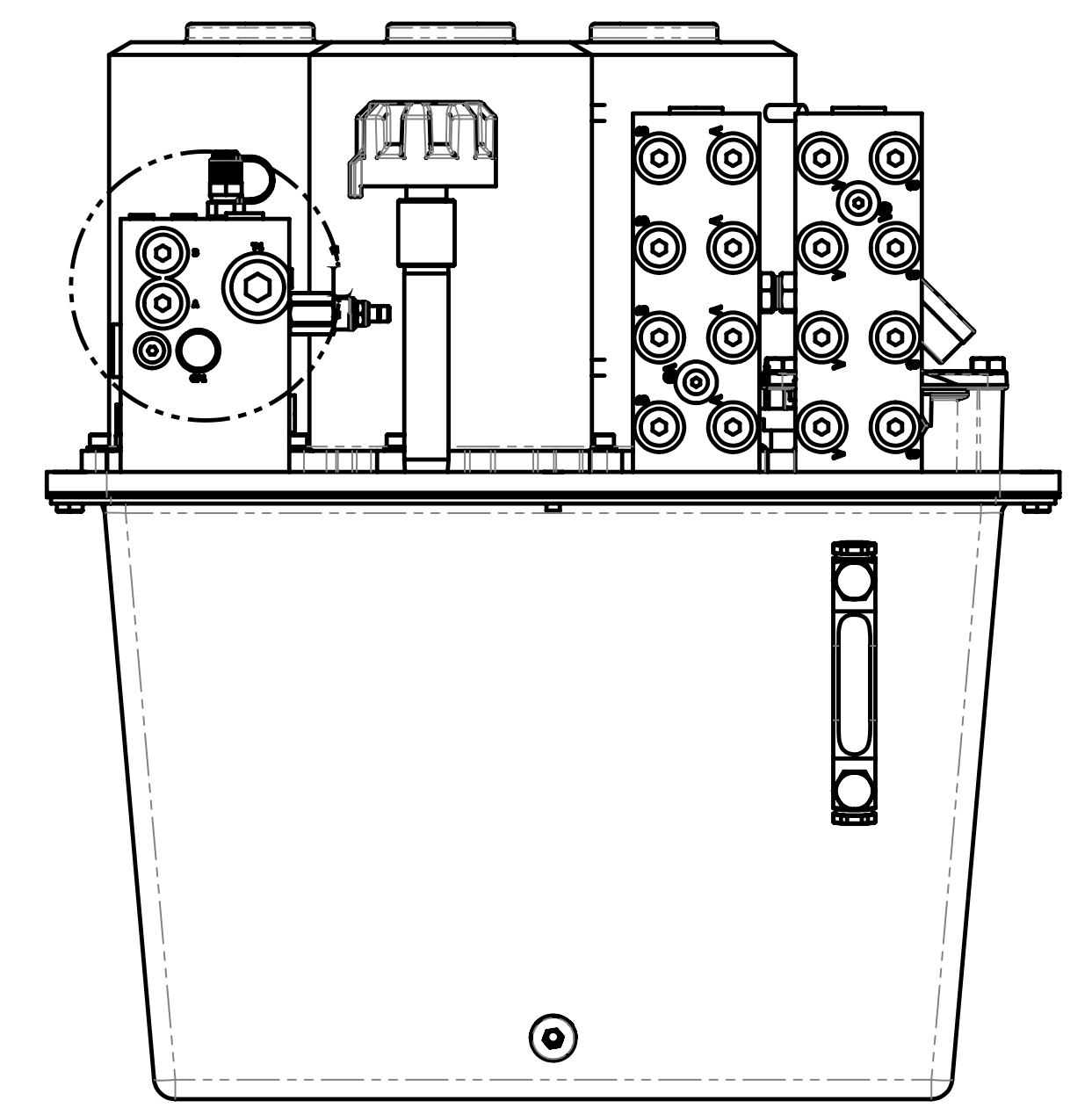
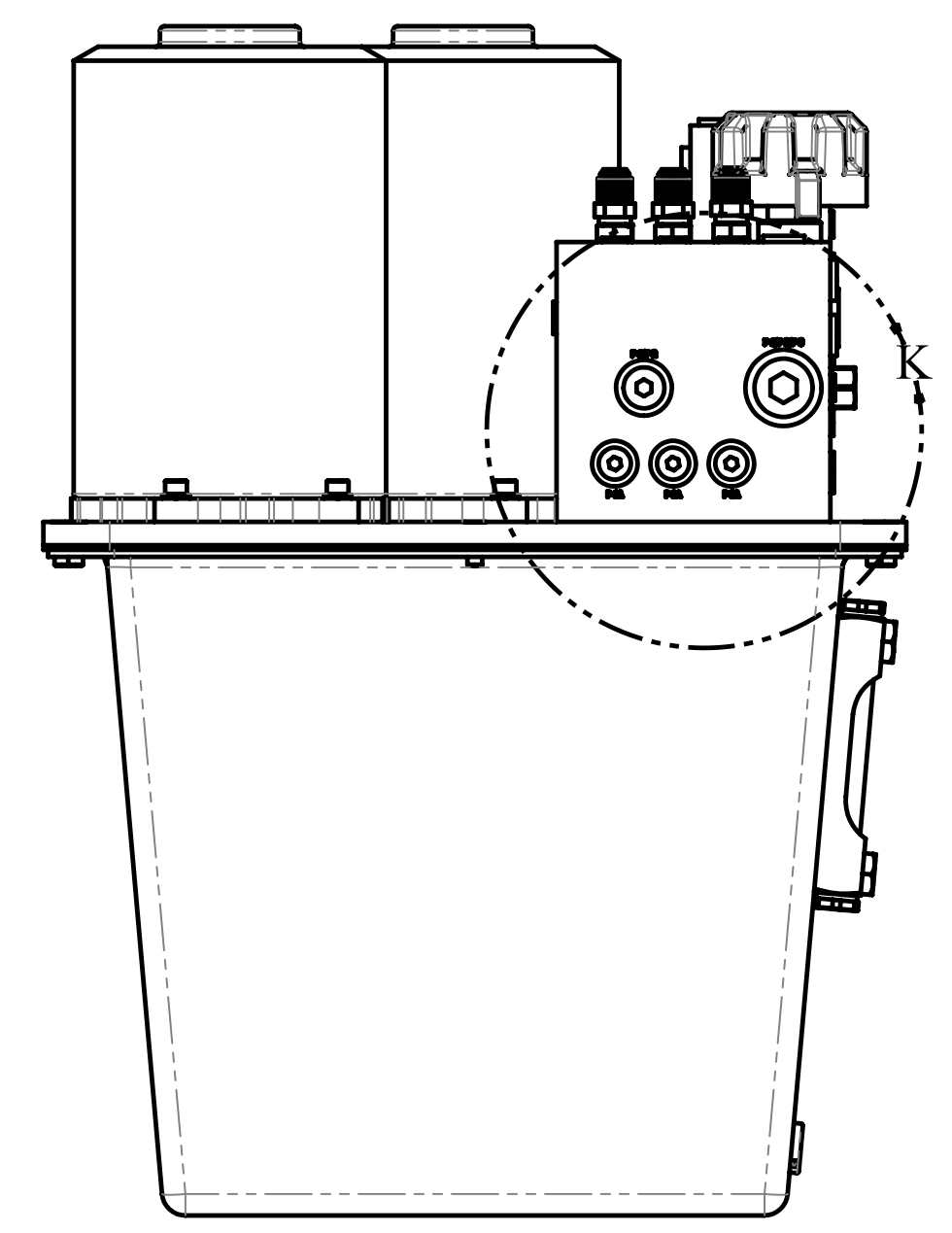
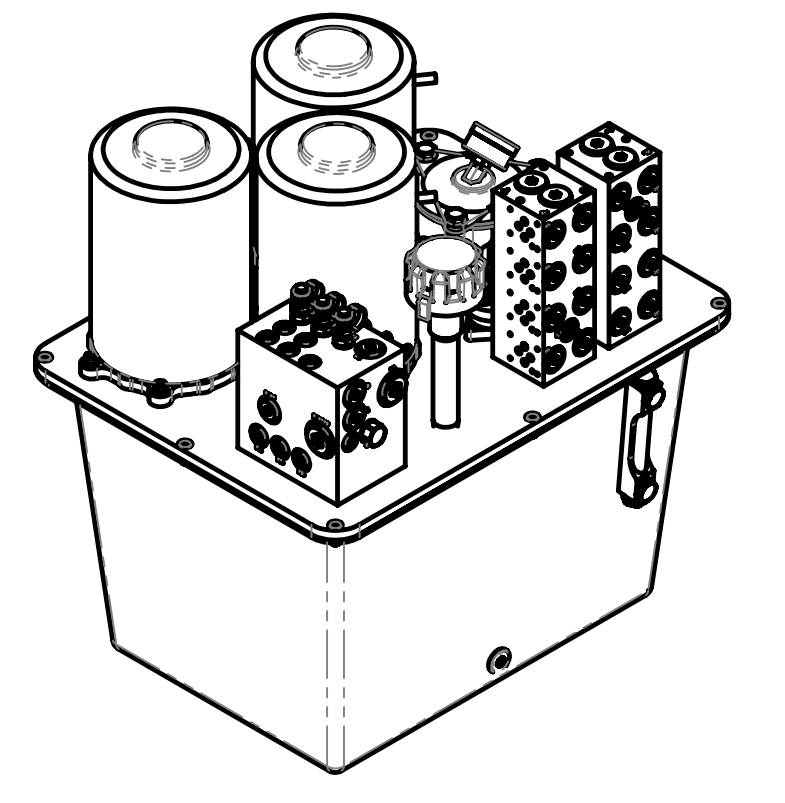


NOTES:

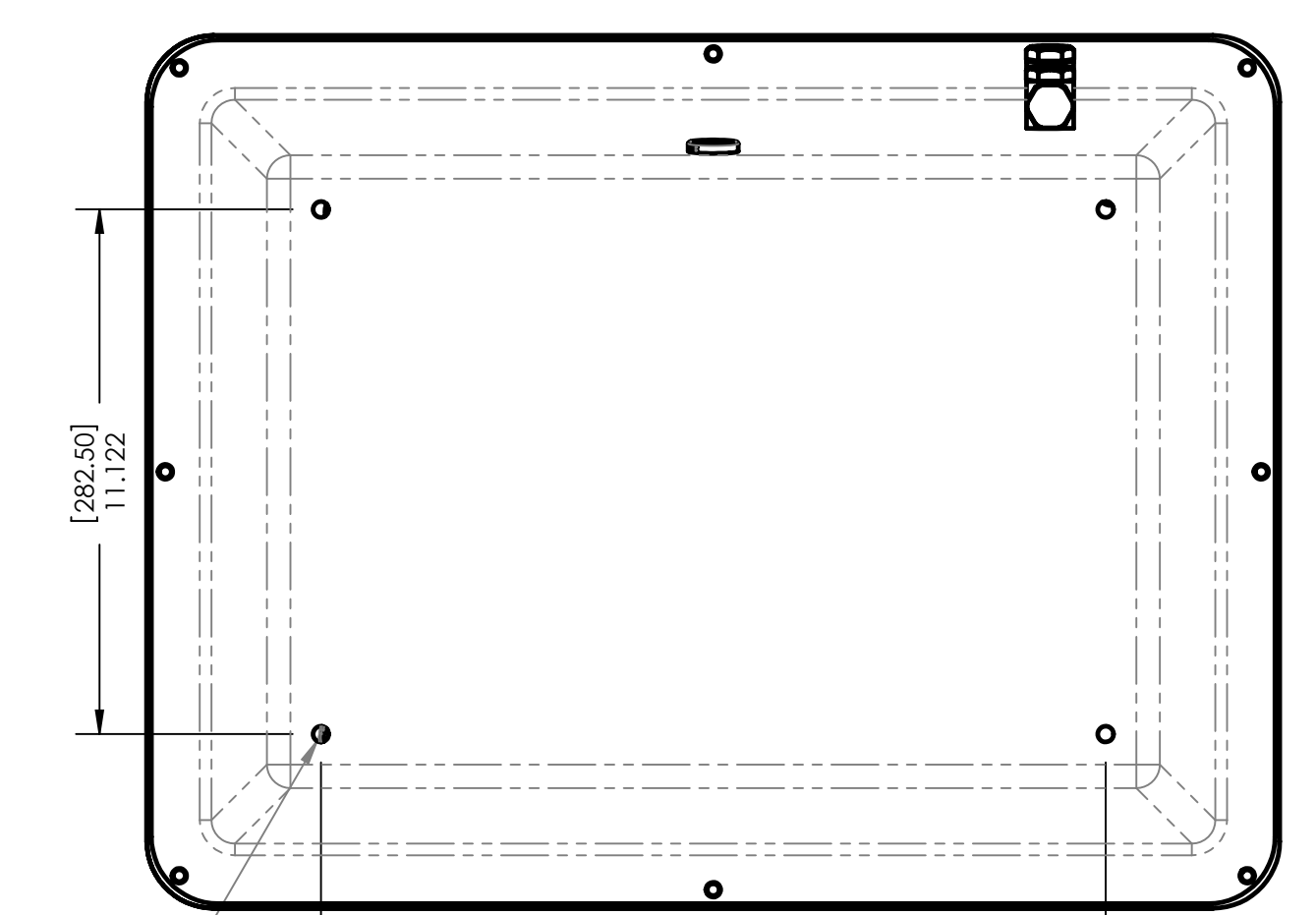
- OIL CAPACITY: 70L / 18.4GAL
- UNIT WEIGHT: 246LBS (111.4KG)
- OPERATING PRESSURE/FLOW RATE/AMP DRAW
- RECOMMENDED - 2000PSI (140 BAR), 12 GPM (45 L/min), 210 AMPS/MOTOR
- 2500PSI (170 BAR), 9.75 GPM (36.3 L/min), 259 AMPS/MOTOR
- MAXIMUM - 3000PSI (210 BAR), 8.4 GPM (31.8 L/min), 295 AMPS/MOTOR
- OIL RECOMMENDATION
- AVERAGE AIR TEMP 21 °C / 70 °F - ISO 32
- AVERAGE AIR TEMP 32 °C / 90 °F - ISO 46
- REPLACEMENT FILTER PART #HYFETH10



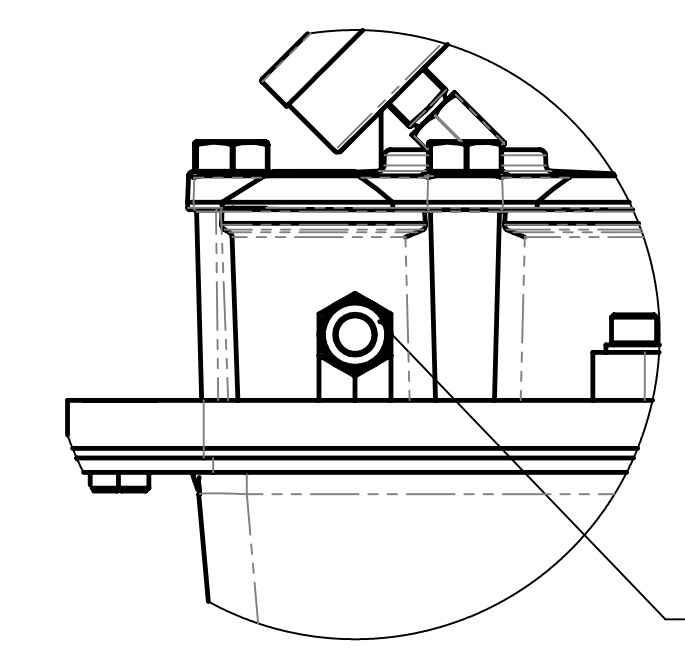
RECOMMENDED MOUNTING ENVELOPE



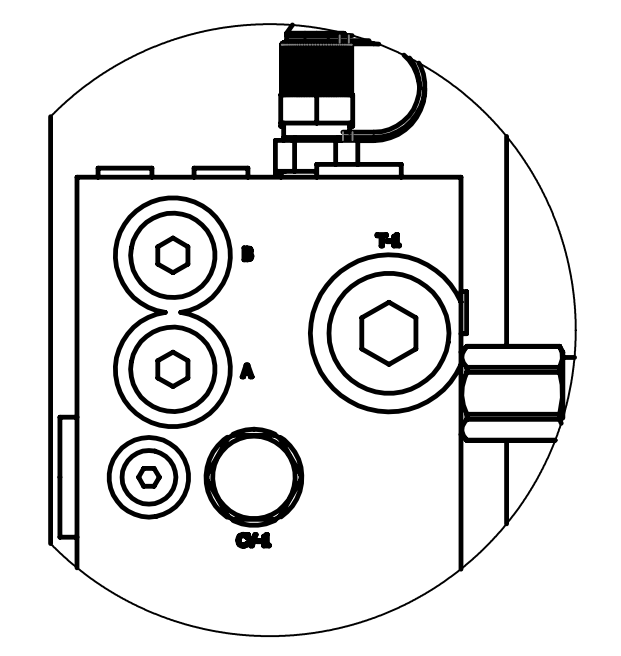
DETAIL K
SCALE 1 : 2



DETAIL L
SCALE 1 : 2



DETAIL G
SCALE 1 : 2

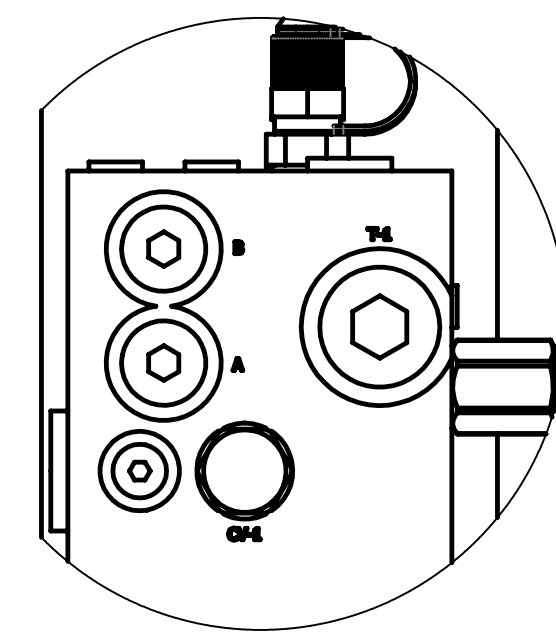
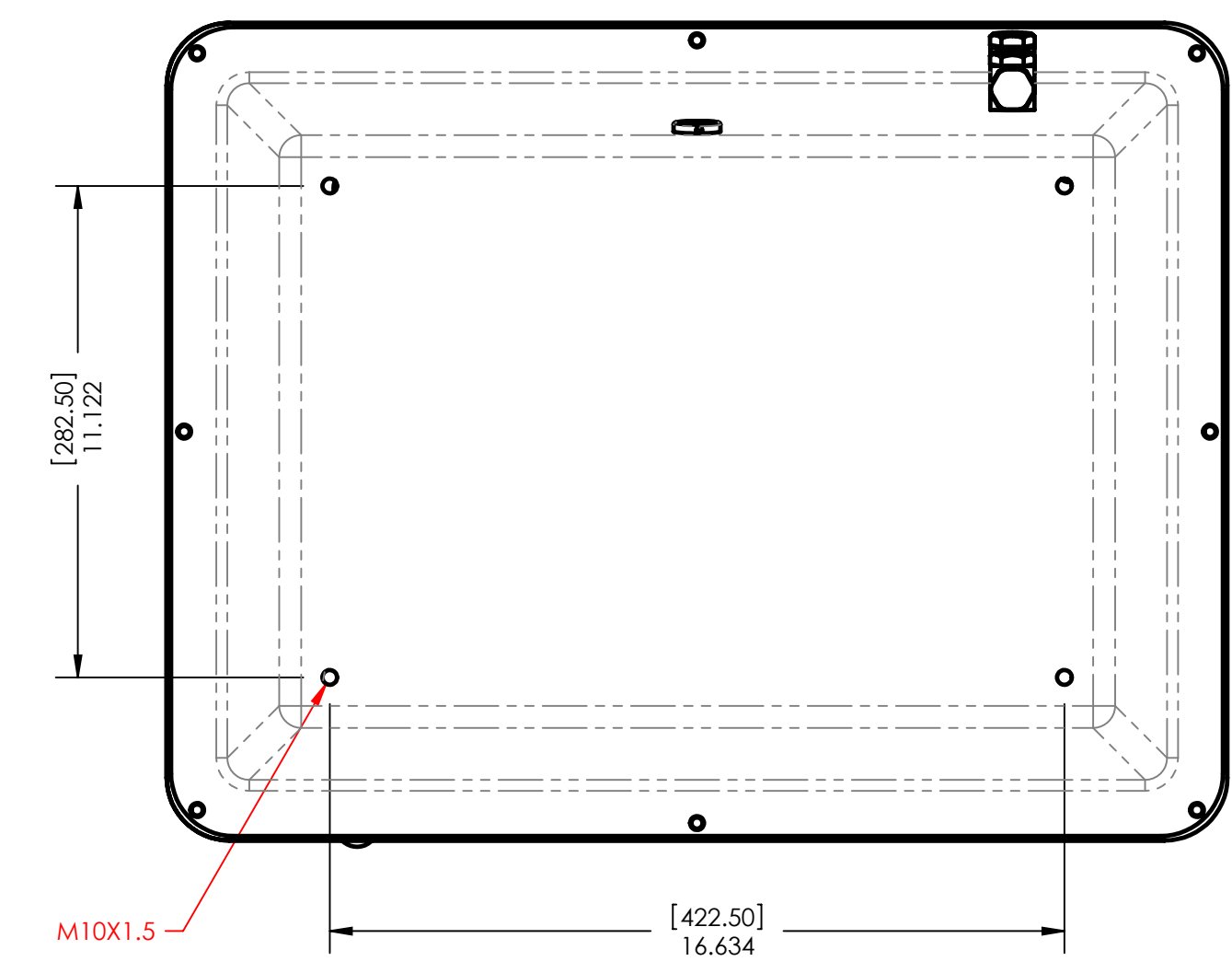
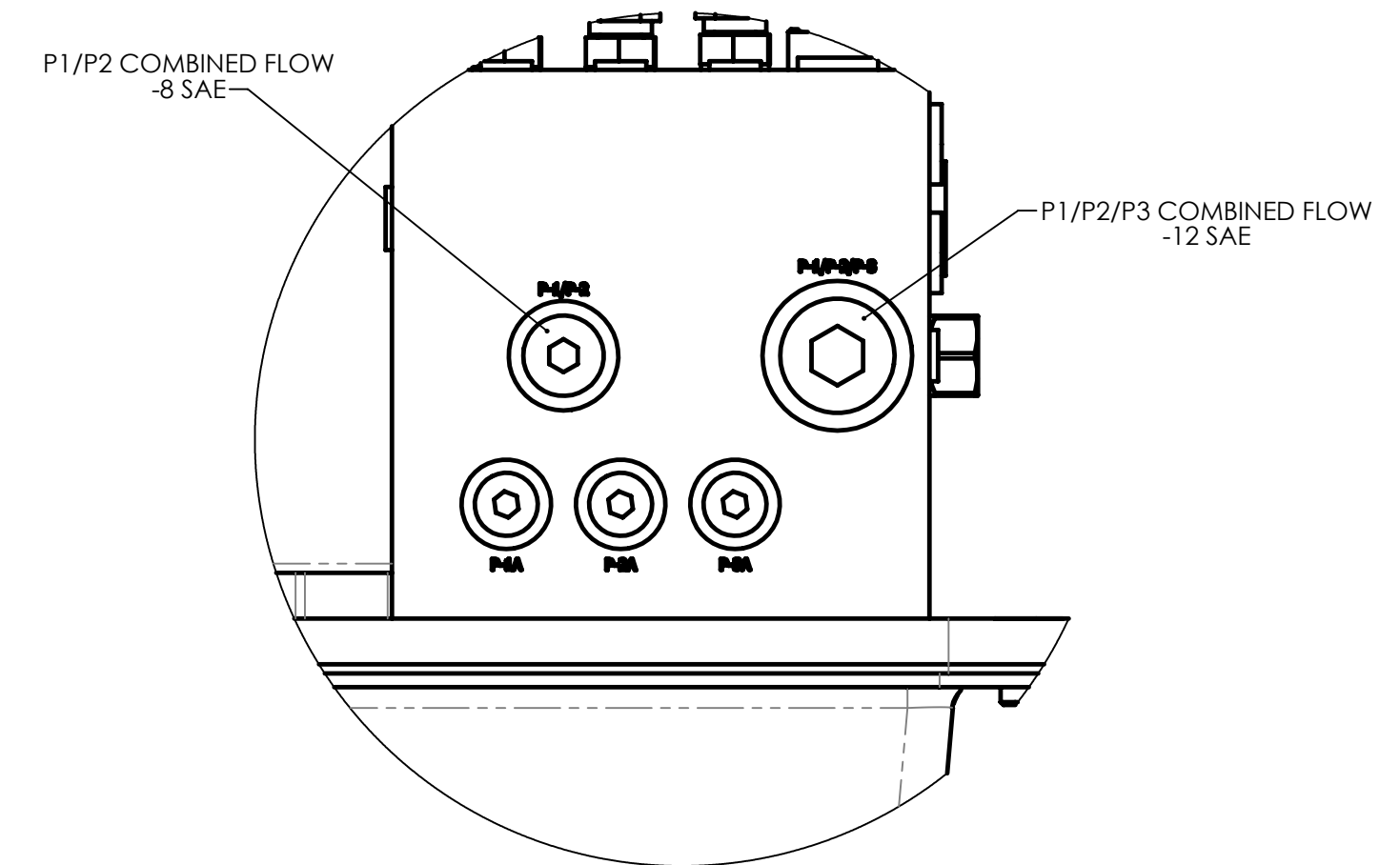
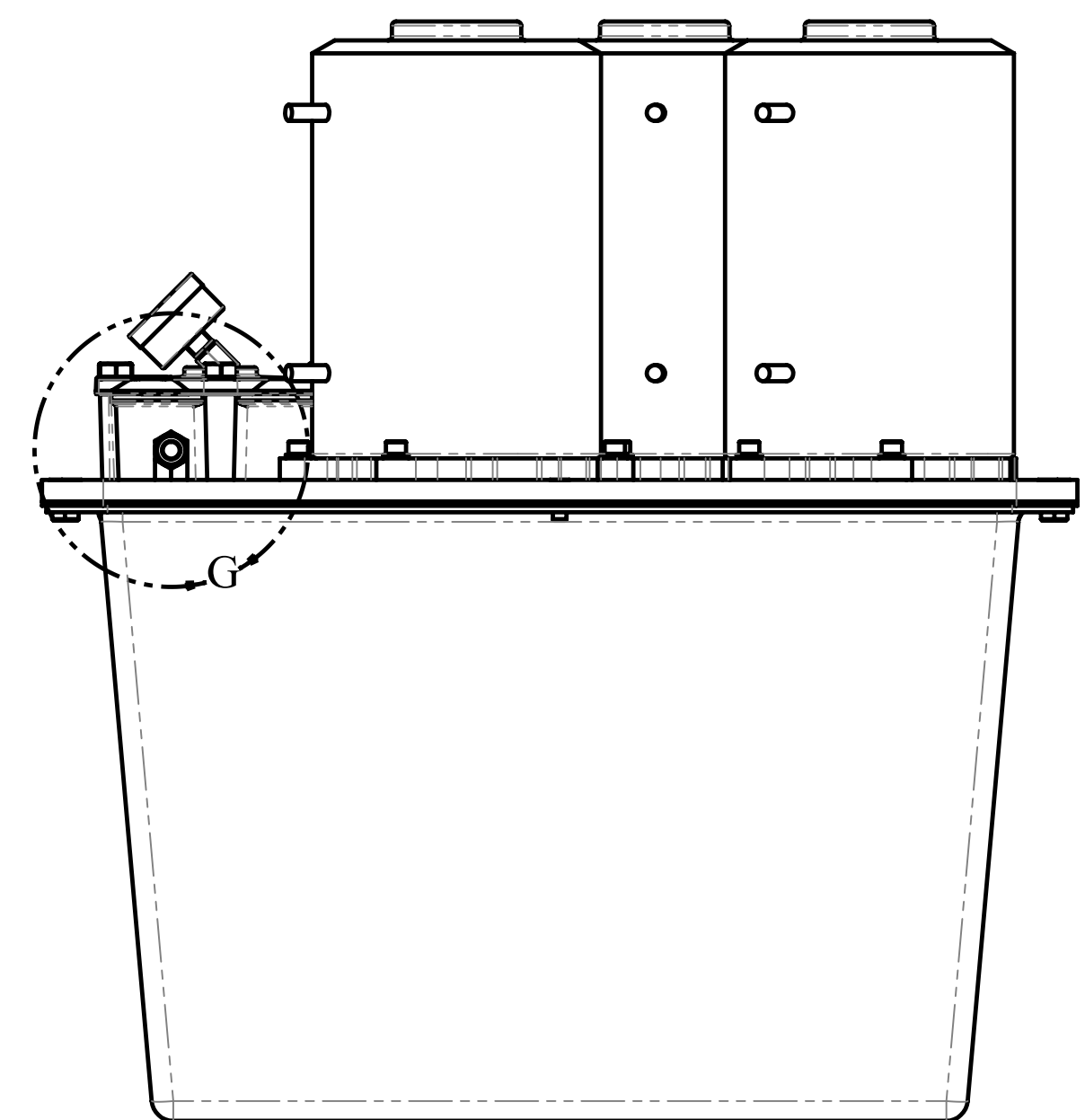
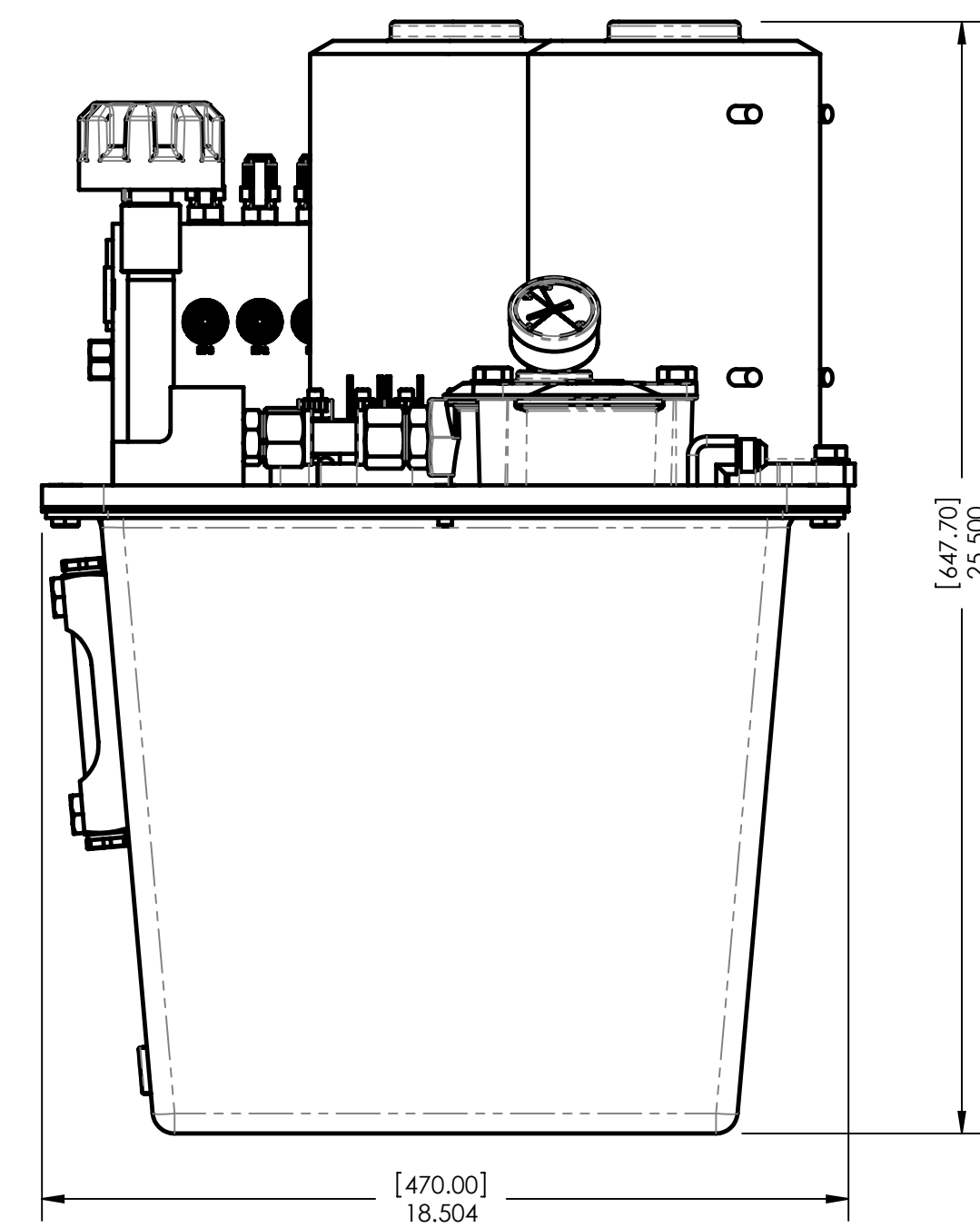
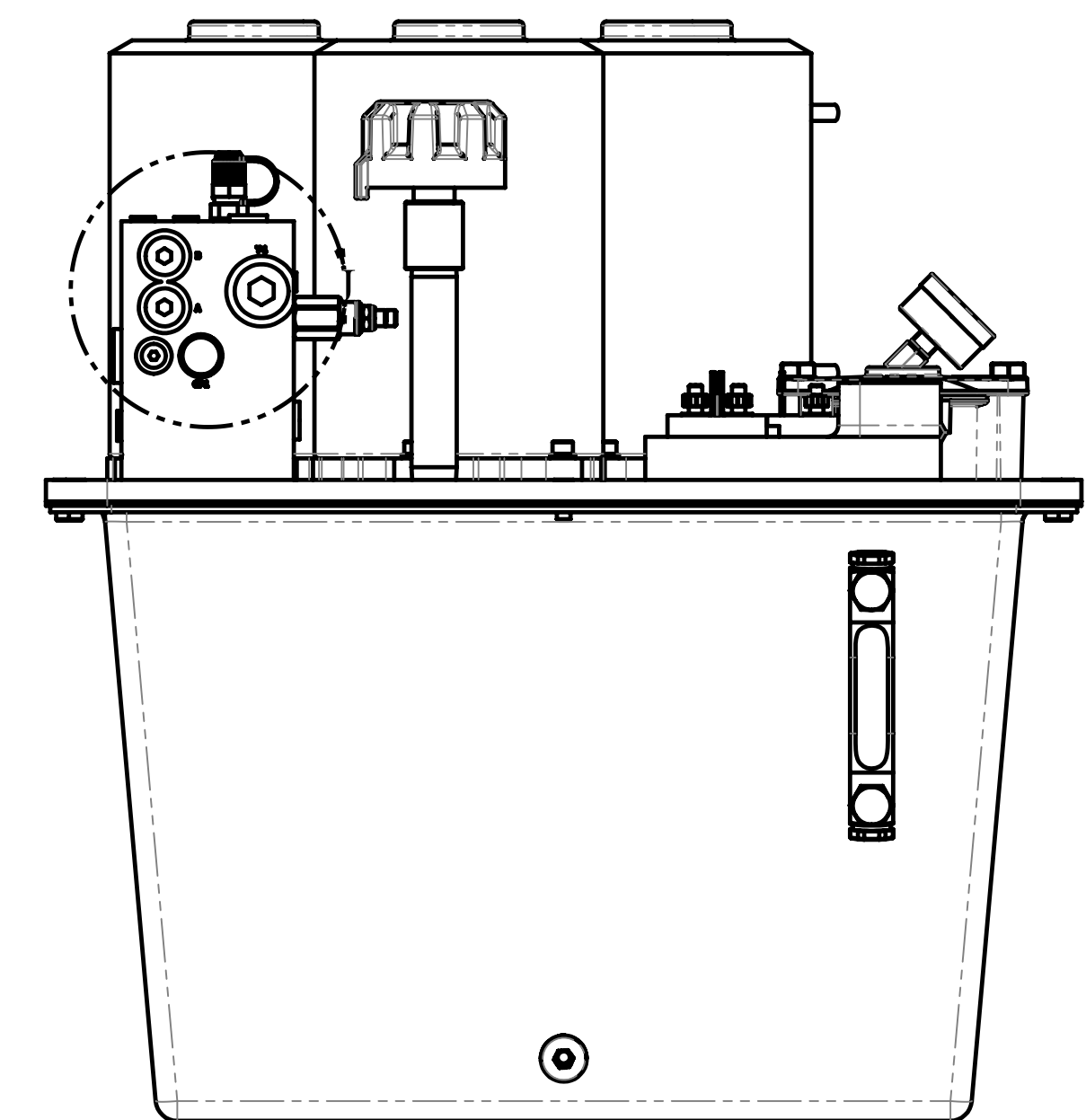
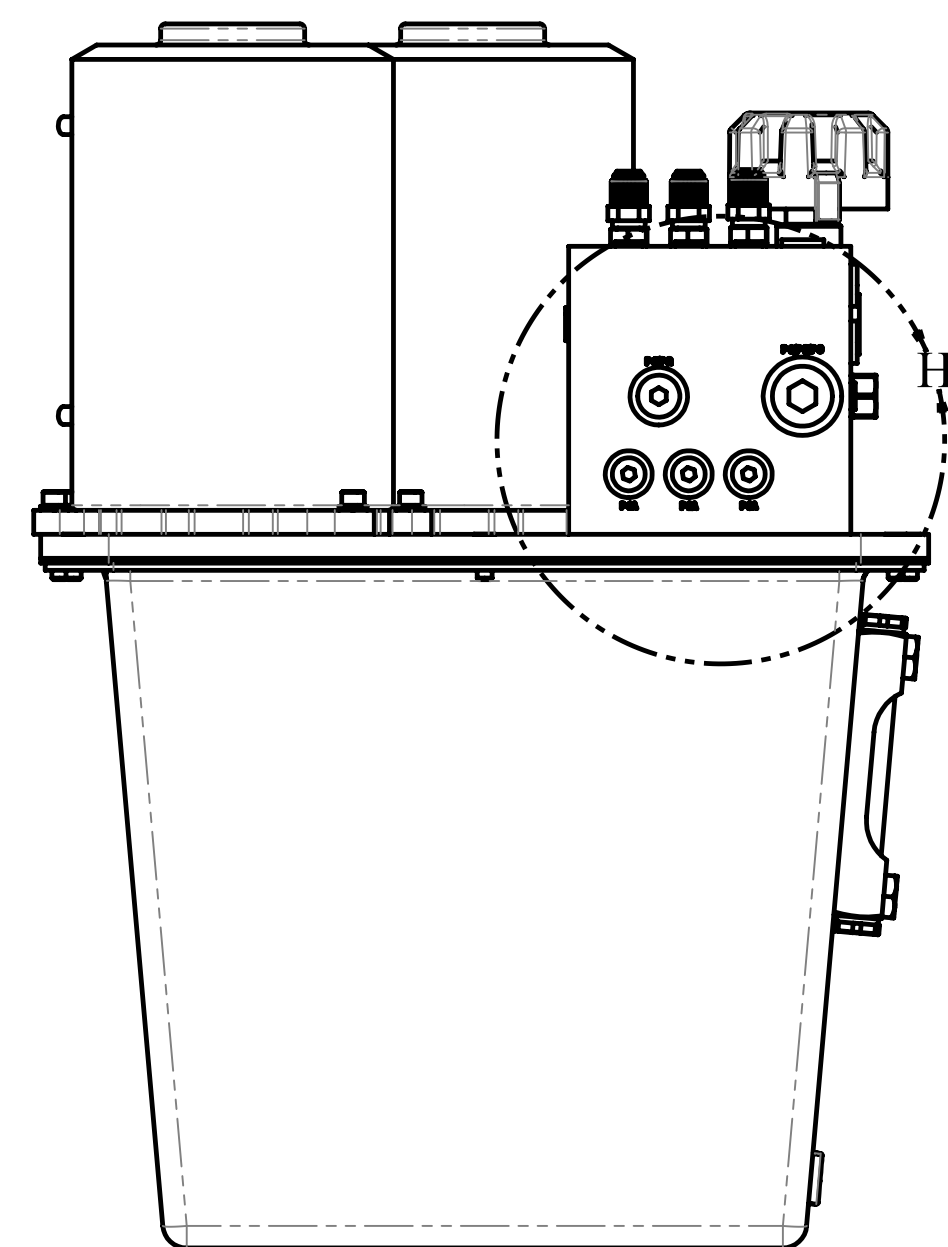
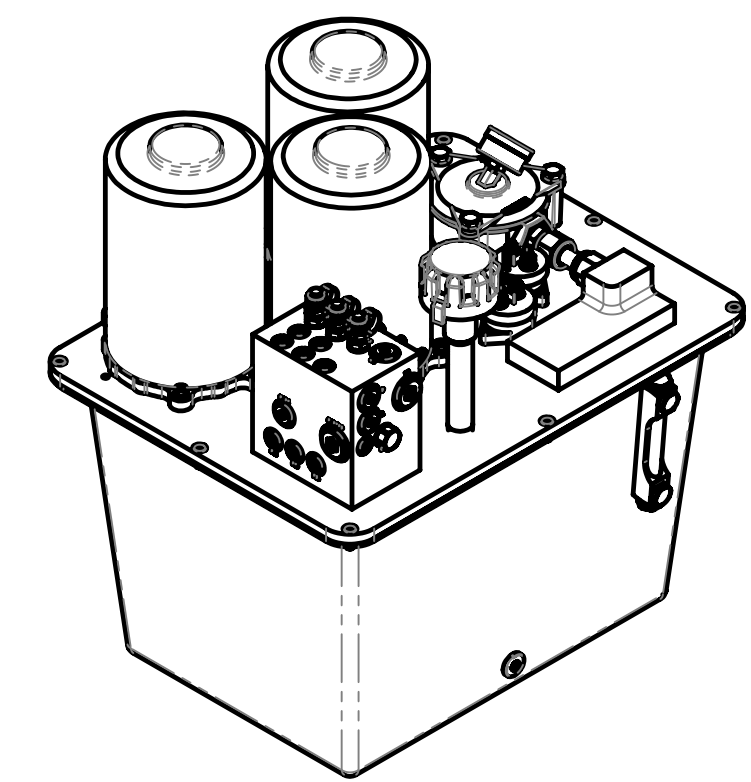
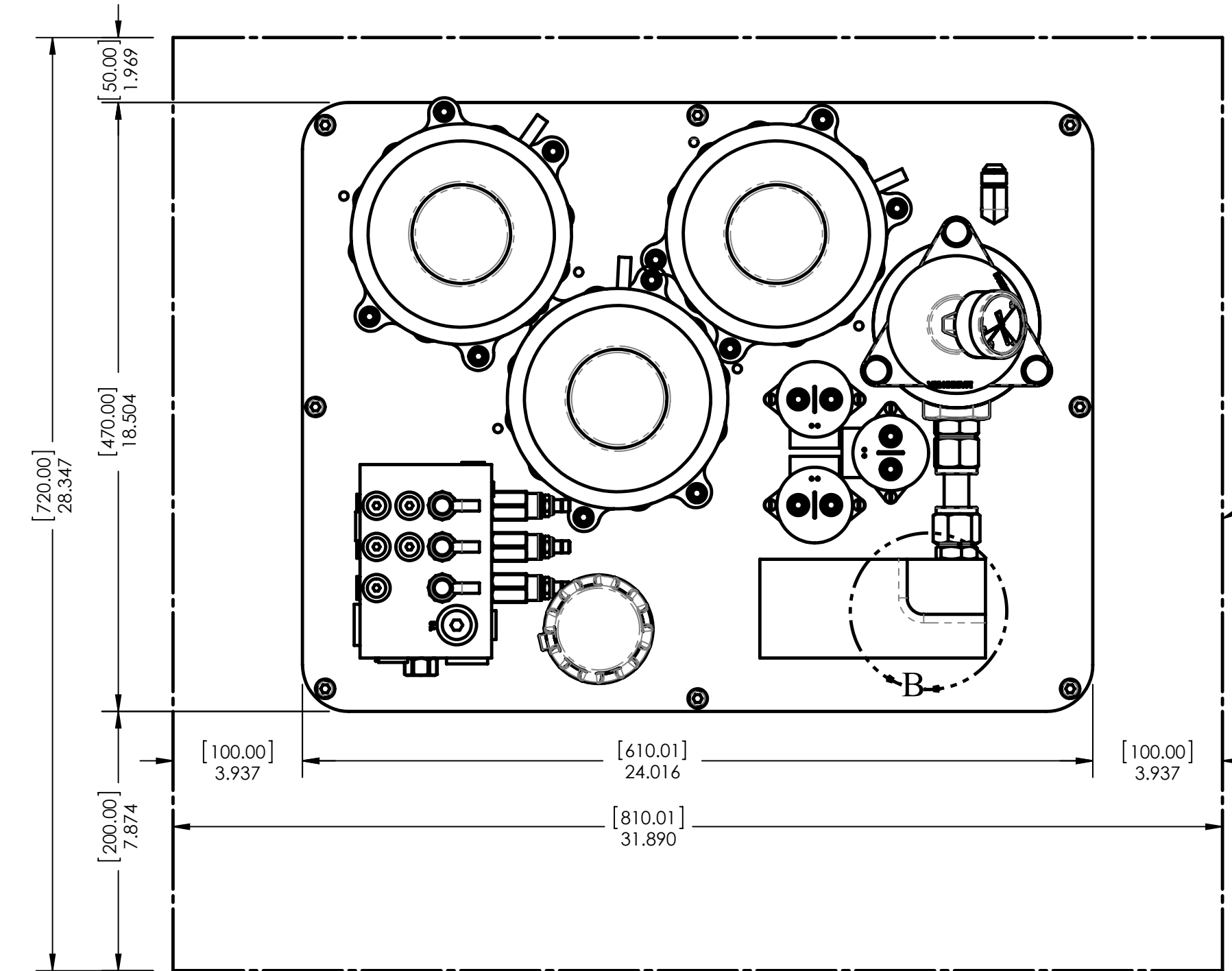


DETAIL L
SCALE 1 : 2

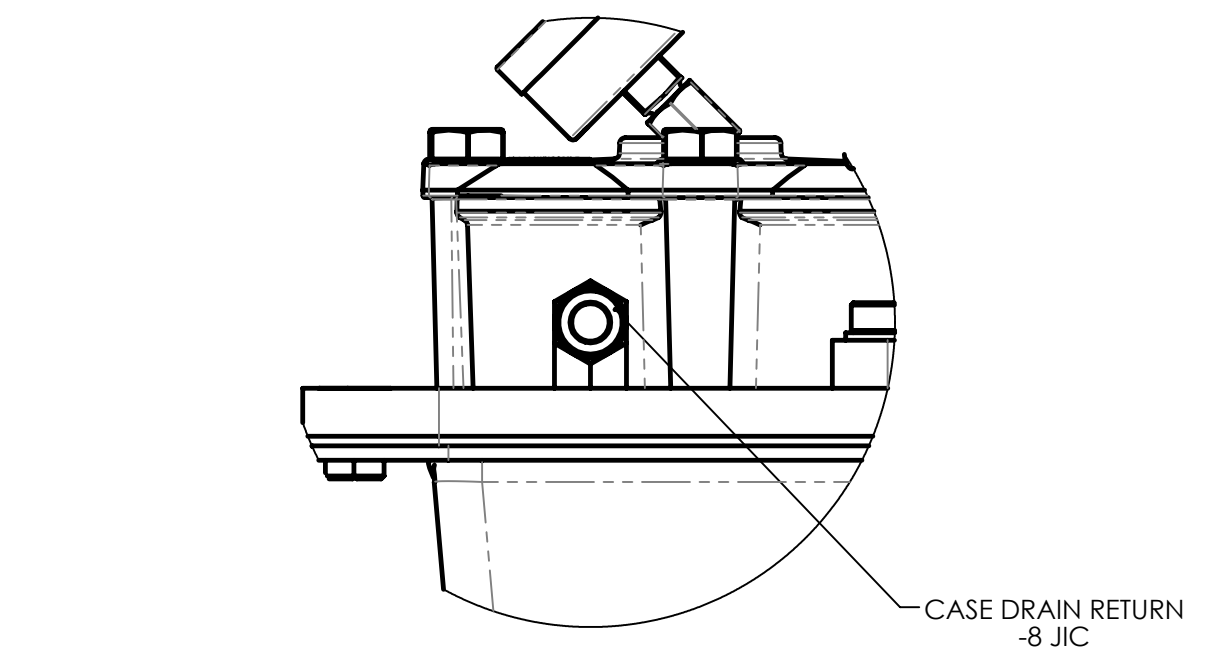
<p>HARKEN INCORPORATED</p> <p>N15 W24983 Bluemound Road Pewaukee, Wisconsin 53072 Tel: 262-691-3320 Fax: 262-691-3807 www.harken.com</p>	<p>DIMENSIONS IN OVALS ARE KEY PRODUCT CHARACTERISTICS</p> <p>UNLESS OTHERWISE SPECIFIED: DIMENSIONS IN INCHES</p> <p>REMOVE ALL BURRS AND BREAK SHARP EDGES WITH 0.010 MAX RADIUS OR CHAMFER</p> <p>TOLERANCES UNLESS OTHERWISE SPECIFIED:</p> <p>DECIMAL: ± RADIUS: ±</p> <p>HOLE DIA: ± CHAMFER: ±</p> <p>ANGULAR: ± SURFACE FINISH: ✓</p>	<p>BASE ASSY HYDRO 3 POWER UNIT</p>		<p>DRAWING NUMBER H-51330</p>	<p>REV. 2</p>
	<p>MATERIAL: VARIOUS</p> <p>FINISH: -</p>	<p>© The designs, constructions, arrangements, disclosures and devices illustrated in presentations bearing this note are the property of Harken, Inc. Pewaukee, WI and are submitted in confidence with the understanding that such material shall not be utilized in any way by any party without prior written consent from Harken, Inc.</p>		<p>PART # HYDRO3BASE</p>	
		<p>SHEET NUMBER: 2/2</p> <p>DRAWN BY: MDS</p> <p>ENG. APP: CJI/JEL</p> <p>MFG. APP:</p>	<p>SCALE: 1:4</p> <p>DATE: 9/16/2009</p> <p>DATE: 9/20/2010</p> <p>DATE:</p>		

NOTES:

- OIL CAPACITY: 70L / 18.4GAL
- UNIT WEIGHT: 233LB (105.9KG)
- OPERATING PRESSURE/FLOW RATE/AMP DRAW
- RECOMMENDED - 2000PSI (140 BAR), 12 GPM (45 L/min), 210 AMPS/MOTOR
- 2500PSI (170 BAR), 9.75 GPM (36.3 L/min), 259 AMPS/MOTOR
- MAXIMUM - 3000PSI (210 BAR), 8.4 GPM (31.8 L/min), 295 AMPS/MOTOR
- OIL RECOMMENDATION
- AVERAGE AIR TEMP 21°C / 70°F - ISO 32
- AVERAGE AIR TEMP 32°C / 90°F - ISO 46
- REPLACEMENT FILTER PART #HYFETH10



DETAIL J SCALE 1 : 2



DETAIL G SCALE 1 : 2

DETAIL H SCALE 1 : 2

HARKEN INCORPORATED N15 W24983 Bluemound Road Pewaukee, Wisconsin 53072 Tel: 262-691-3320 Fax: 262-691-3807 www.harken.com	DIMENSIONS IN OVALS ARE KEY PRODUCT CHARACTERISTICS UNLESS OTHERWISE SPECIFIED: DIMENSIONS IN INCHES -ALL DIMENSIONS PRIOR TO FINISHING REMOVE ALL BURRS AND BREAK SHARP EDGES WITH 0.010 MAX RADIUS OR CHAMFER TOLERANCES UNLESS OTHERWISE SPECIFIED: DECIMAL: ± RADIUS: ± HOLE DIA: ± CHAMFER: ± ANGULAR: ± SURFACE FINISH: ✓	REMOTE BASE ASSY HYDRO 3 POWER UNIT MATERIAL: VARIOUS FINISH: - © The designs, constructions, arrangements, disclosures and devices illustrated in presentations bearing this note are the property of Harken, Inc. Pewaukee, WI and are submitted in confidence with the understanding that such material shall not be utilized in any way by any party without prior written consent from Harken, Inc.	DRAWING NUMBER: H-52731 PART #: HYDROREMOTEBASE SHEET NUMBER: 2/2 SCALE: 1:4 DRAWN BY: MDS DATE: 9/16/2009 ENG. APP: C.JL DATE: 9/20/2010 MFG. APP: DATE:	REV: 2
---	---	--	--	--------

