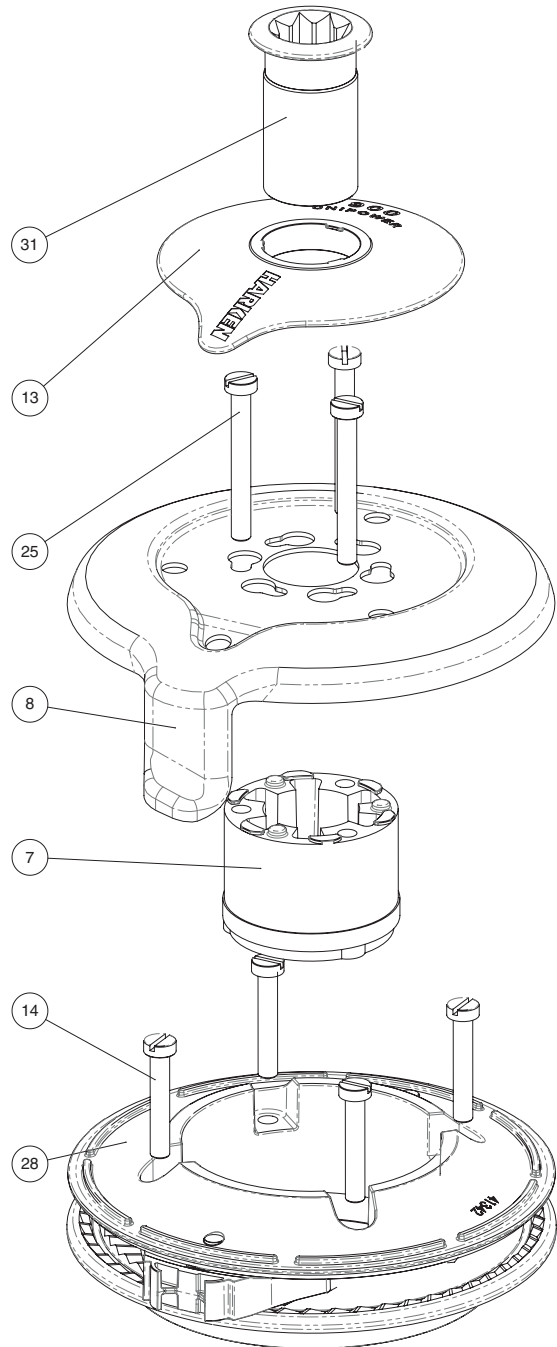
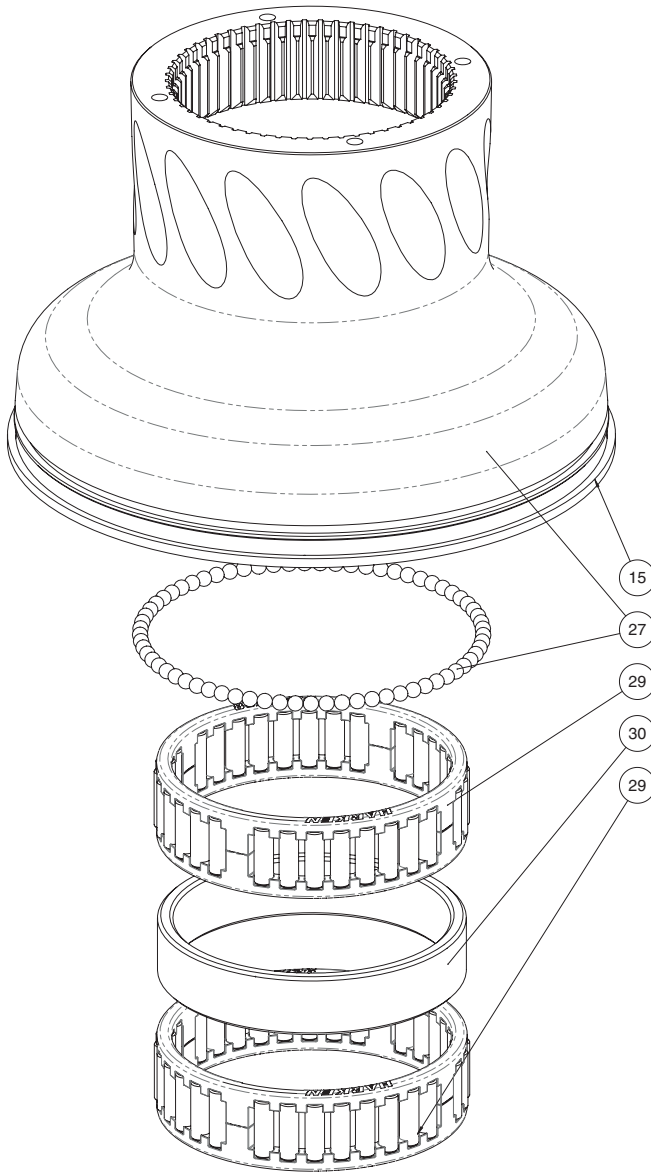
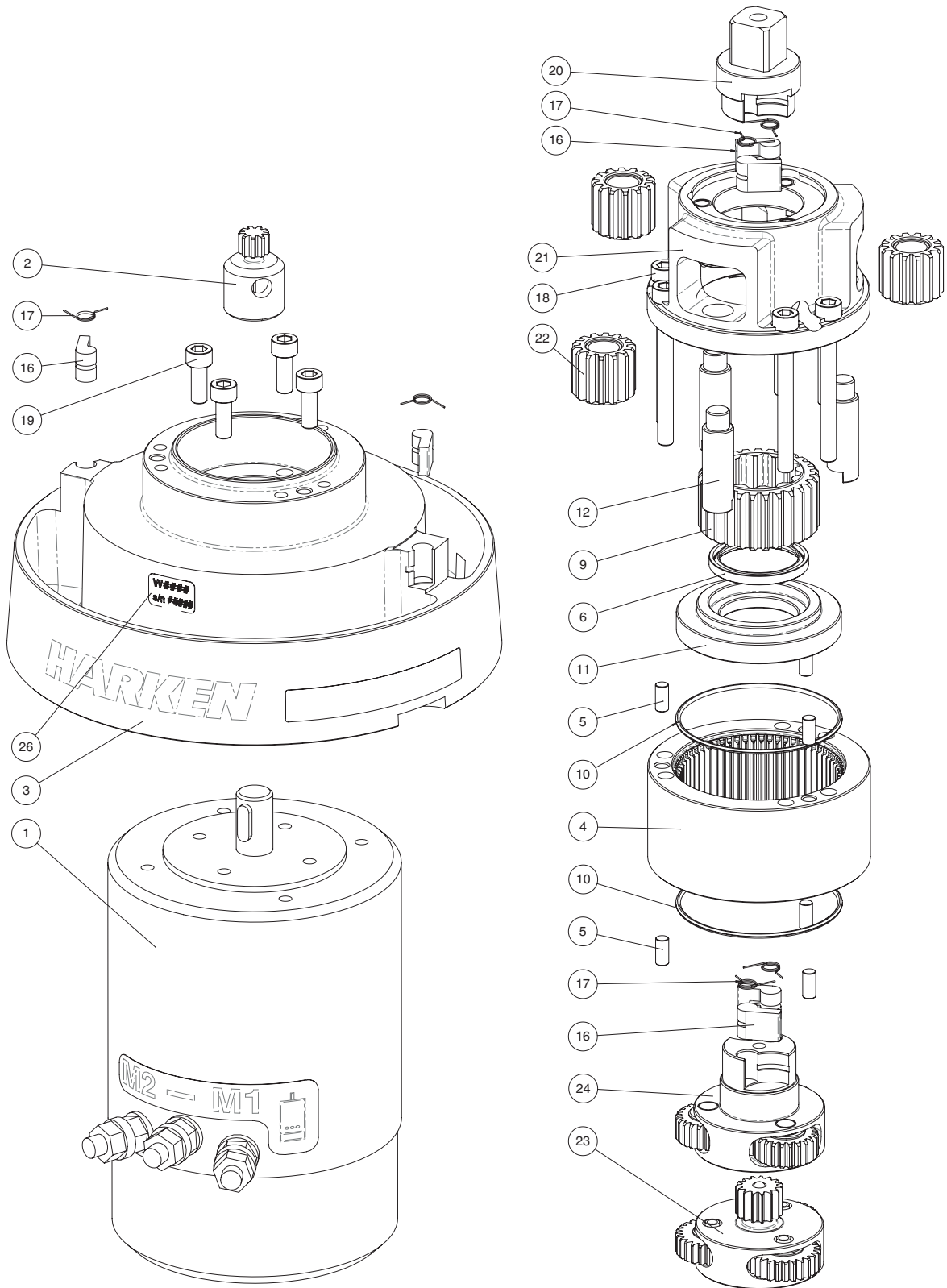


Exploded view

Winch Radial UniPower 900 A, C, CW, BBB, CCC



Winch Radial UniPower 900 A, C, CW, BBB, CCC



Parts List

UniPower 900 A

A = drum in anodised aluminium

Pos.	Q.ty	Code	Description	Pos.	Q.ty	Code	Description	
1	1	A94953300	Kit Motor 0,7kW 12V Unipower 900	22	3	A94903900	Gear assembly Z=10	
	1	A96508600	Kit Motor 0,9kW 24V Unipower 900		1	S490390004	Gear Z=14	
	1	M6014206	Electric motor Polarity motor sticker Key DIN 6885 5x5x15		1	M6017594	Bushing Igus GFM-121418-20	
2	1	S490310004	Pinion Z=9	23	1	A94909800	First planetary assy Gear Carrier Gear z=26 Ball 3/16" Pin Ø6 Bushing Igus XSM-0608-10	
3	1	A94903300	Assy base Unipower 900 Support Unipower 900 Winch Product Sticker**		24	1	A94910000	Second planetary assy Pawl Carrier Gear Z=23 Pin Ø8 Bushing Igus XSM 0810-12
4	1	S490340004	Ring gear Z=63			25	3	M6007103
5	6	S450660003	Roller Ø5x10.5	26				Winch Serial Number Sticker
6	1	M0648397	Seal Ø30xØ38x4 NBR	27	1		A94904200	Assy Drum Unipower Drum Unipower 900 Ball 3/16"
7	1	S4129400A0	Stripper arm support		28	69	M0619580	
8	1	S413440019	Stripper arm W50			29	1	A94907700
9	1	S490780004	Gear Z=27	30			2	A74135100
10	2	M6004597	O Ring 2237		31		1	S413520080
11	1	S490800080	Flange			1	1	A94136400
12	3	S490810004	Pin Ø12	1			1	S415130085
13	1	S4908800A5	Cover Unipower 900		1		1	M0614303
14	4	M0601803	Screw UNI EN ISO 1207:1996 - M6x35 - A4					
15	1	S281690097	Red line					
16	6	S000080003	Pawl Ø8*					
17	6	S000380001	Pawl Spring Ø8*					
18	6	M0606103	Screw M6x60 UNI5931					
19	4	M0635103	Socket head screw M6x16 UNI 5931					
20	1	S490960004	Pawls carrier					
21	1	A94904100	Gear carrier Gear carrier Heli-coil M6x9					
	3	S414890080	Bushing Ø9xØ11x7					

*Available with service kit; see website www.harken.com

**Winch product sticker

