

HARKEN®

INSTALLATION SHEET

6070, 6074, 6076, 6077, 6078, 6079, 6091, 6092, 6093, 6106 Cruising ESP Footblocks

N15W24983 Bluemound Road • Pewaukee, WI 53072 U.S.A.
 Telephone: (262) 691-3320 • Fax: (262) 701-5780 • Web: www.harken.com • Email: harken@harken.com



Strictly follow all instructions to avoid an accident, damage to your vessel, personal injury, or death. See www.harken.com/manuals for additional safety information.

Part No.	Sheave Ø		Max line Ø		Maximum working load		Breaking load		Max lockoff load		Fasteners (FH) A4 (316) or A2 (18-8) stainless steel	
	in	mm	in	mm	lb	kg	lb	kg	lb	kg	in	mm
6070	2¼	57	5/8	16	2500	1135	5000	2272	650	295	3/8	10
6074	3	75	¾	19	3500	1587	7000	3175	750	340	3/8	10
6076	2¼	57	5/8	16	2500	1135	5000	2272	—	—	3/8	10
6077	2¼	57	5/8	16	2500	1135	5000	2272	1200	550	5/16	8
6078	3	75	¾	19	3500	1587	7000	3175	1200	550	5/16	8
6079	3	75	¾	19	3500	1587	7000	3175	—	—	3/8	10
6091	2¼	57	5/8	16	2500	1135	5000	2272	—	—	5/16	8
6092	3	75	¾	19	3500	1587	7000	3175	—	—	5/16	8
6093	4	100	¾	19	7500	3402	15000	6804	—	—	1/2	12
6106	1 9/16	40	1/2	12	1250	567	2500	907	—	—	5/16, 3/8	8, 4

Mounting Instructions

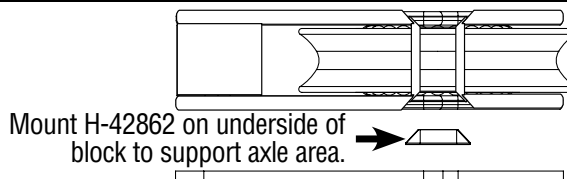


WARNING! You must mount to solid deck construction using specified fasteners in all mounting holes and nuts, washers or backing plates to achieve correct maximum working load to avoid a failure leading to an accident.

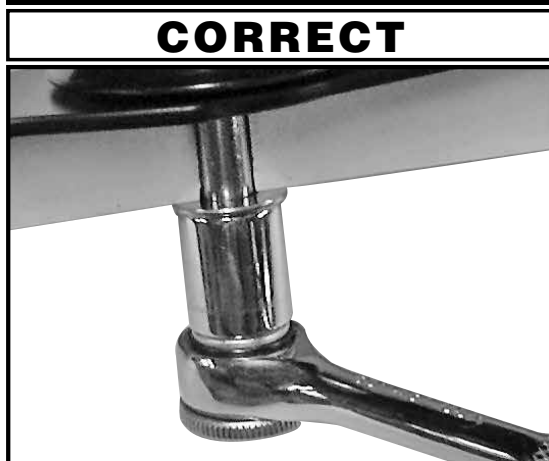
Using Lock-Off—6070/6074/6077/6078

Use “lock-off” to temporarily secure sheet. Do not use in place of a clutch, jammer or line stopper.

Mounting Instructions—6093 Only



DO NOT OVER-TIGHTEN BOLTS!



Tighten bolts wrist tight (10 ft-lb/14 N-m)

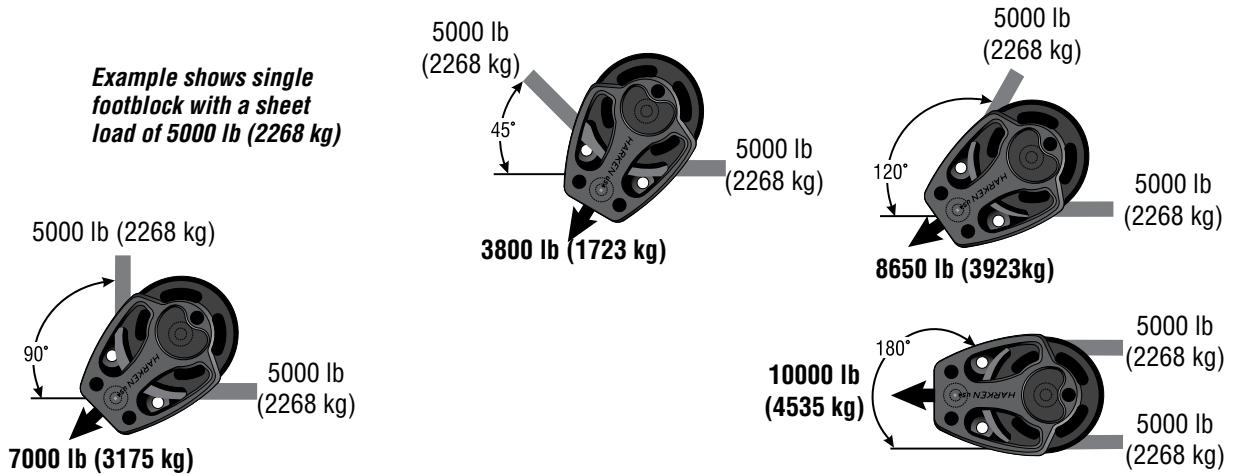


DO NOT USE A POWER DRIVER.

IMPORTANT! Tighten bolts only wrist tight (10 ft-lb/14 N-m) to remove play between block and deck. Do not use a power driver. Over-tightening will permanently damage footblock and cause sheaves to bind.

Block Loading vs Angle of Deflection

Block load is a combination of the load on the line passing through the block, plus a block-loading factor, determined by the angle which the block turns the sheet. See loading example for a single footblock below. **IMPORTANT! When footblock is double-stacked upper block is rated at two-thirds of listed maximum working and breaking load.**



Angle of deflection	Load factor	Angle of deflection	Load factor	Angle of deflection	Load factor
30°	52%	90°	141%	150°	193%
45°	76%	105°	159%	160°	197%
60°	100%	120°	173%	180°	200%
75°	122%	135°	185%	—	—



Additional information:
www.harken.com/manuals

Maintenance

Harken equipment requires minimal maintenance, but some is required to give the best service and to comply with Harken's limited warranty.

Keep equipment clean by frequent flushing with fresh water. Lubrication is not required.

In corrosive atmospheres, stainless parts may show discoloration around holes, rivets and screws. This is not serious and may be removed with a fine abrasive.

IMPORTANT! Exposure to some teak cleaners and other caustic solutions can result in discoloration of part and is not covered under the Harken warranty.

Warranty

For additional safety, maintenance and warranty information see www.harken.com/manuals or the Harken® catalog.