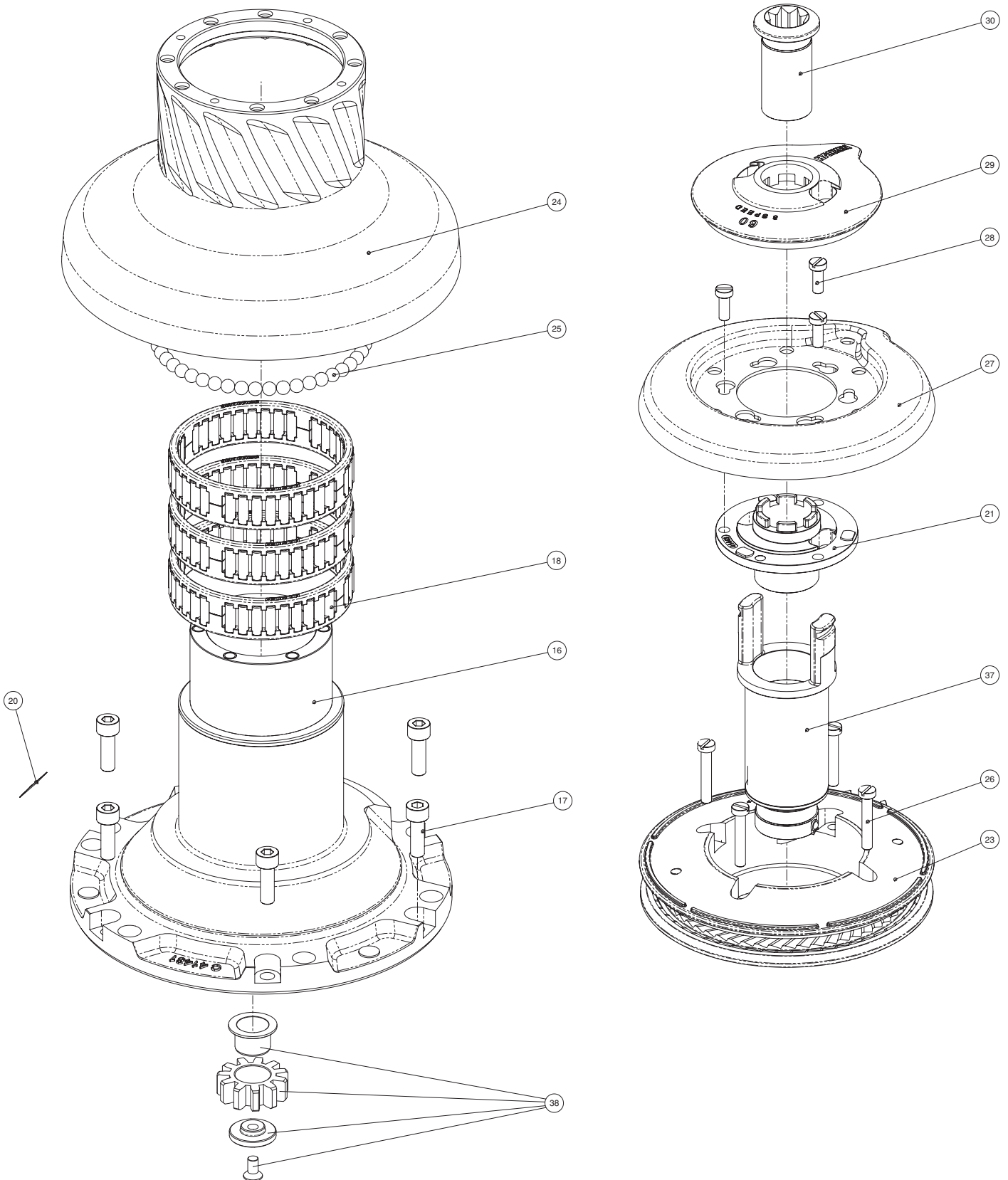
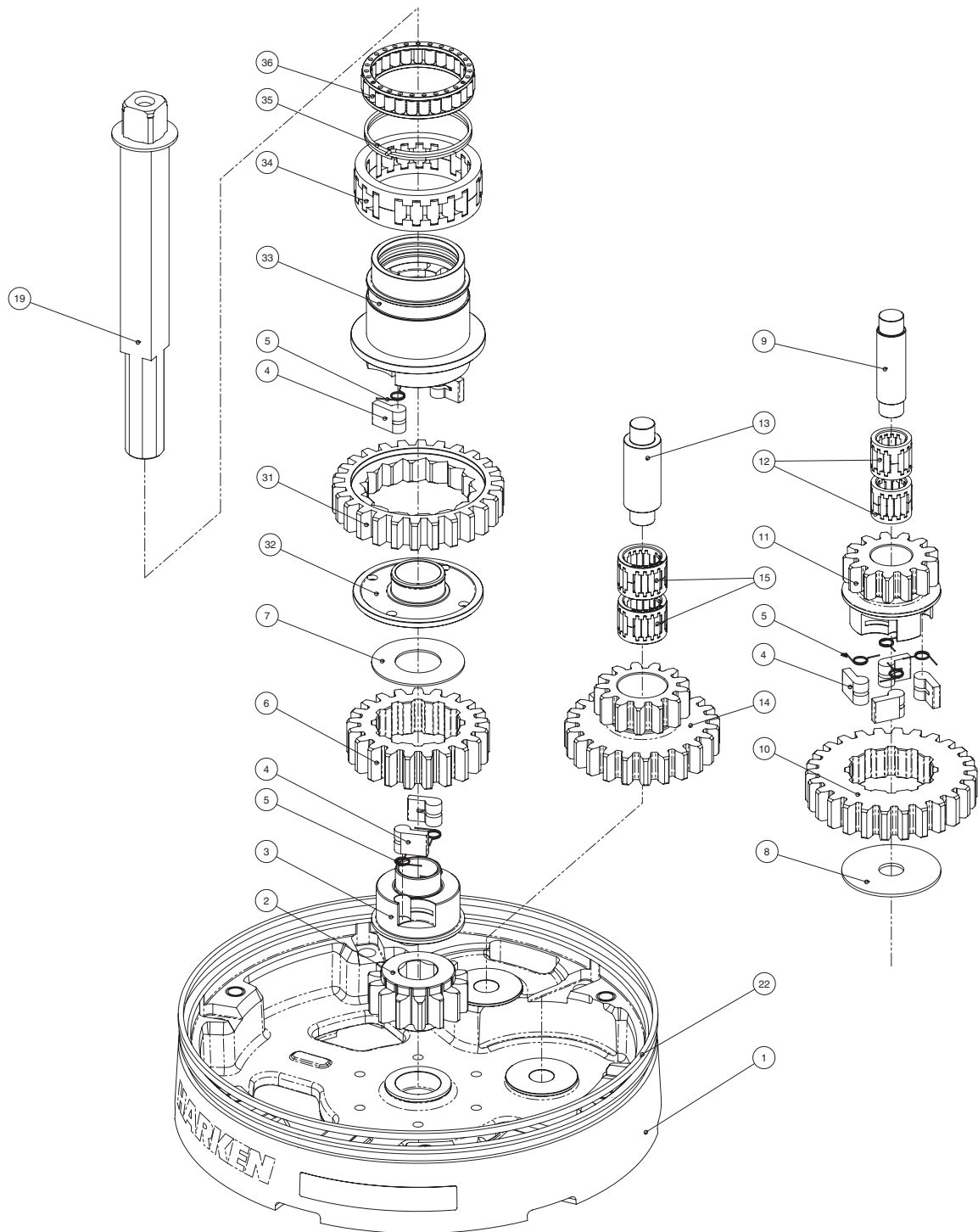


**Exploded view**

Radial Winch 60.3 STA, STC, STCW



**Radial Winch 60.3 STA, STC, STCW**

## Parts List

### Radial Winch 60.3 STA

A= drum in anodised aluminium

Pos.	Q.ty	Code	Description	Pos.	Q.ty	Code	Description							
1	1	A94143000	Assy Base Winch 60 Base W60 Heli-coil M8x10	22	1	S281700097	Red line							
	1	S476030004	Centering bushing Ø12	23	1	A94143500	Assy Jaws Winch 60 Lower Jaw W60 Upper Jaw W60							
	1	S4152300A7	Bushing Ø22xØ25x9.5					1	4	S414850080 S385970001	Peeler W60 - 70 SPRING			
	2	S415580085	Bushing Ø12xØ35x9 Winch Product Sticker**	24	1	A74143300	Drum Assembly W60							
2	1	S414400004	Gear Z14 W60	25	47	M0610280	Ball 5/16"							
3	1	S413030004	Pawls Carrier Ø8xN2	26	4	M0601803	Screw UNI EN ISO 1207:1996 - M6x35 - A4							
4	8	S000080003	Pawl Ø8*	27	1	S414460019	Stripper arm Winch 60							
5	8	S000380001	Pawl Spring Ø8*	28	3	M0601903	Screw M6x16 UNI1207							
6	1	S414390041	Ratchet Gear Z21xN2	29	1	S4167500B1	Cover 3 Speed W60							
7	1	S413120002	Washer Ø22.5xØ45x1	30	1	A94154700	Assy Socket 3speed Socket Handle 3 speed							
8	1	S278170002	Washer Ø12.5xØ48x1.5	1	1	S415130085 M0614303	Washer Ø7.7xØ25x5.8 Screw M8x20 UNI 6109							
9	1	S281010004	Pin for gear					31	1	S280870041	Gear 1V			
10	1	S414420041	Ratchet Gear Z26xN4	32	1	S414580081	Shim Bushing 3 speed							
11	1	S414410004	Pawls Carrier Gear Z13 N4	33	1	S415400004	Pawls Carrier 3 speed							
12	2	A72821800	Roller Bearing 14/20/18	34	1	A73129200	ROLLER BEARING 50-62-20 ERTA P							
13	1	S416030004	Gear Pin Ø12xØ18x52,5	35	1	S377510001	Clutch Spring							
14	1	S414480004	Idler and Pinion Z23/Z13 W60	36	1	A73422600	Bearing Ø45xØ55x12							
15	2	A74162300	Roll bearing Ø24xØ18x18	37	1	A94158000	Assy Clutch 3rd speed W60 Assy Command tube W60 Dog Clutch 3 speed							
								1	S415810081	Bushing	1	2	S415420004 M6009463	Spring loaded ball plunger Ø6
16	1	A94190800	Assy Housing Winch 60.3 Housing W60	38	1	A94145300	Assy Gear 3rd speed Idler Gear 3 speed							
2	S415580085	Bushing Ø12xØ35x9 Heli-coil M6x9	1					1	S414530004 S414550081	Bushing Ø22/Ø25x15.5				
1	S415810081	Bushing									1	1	S414540080	Washer 3 speed
18	3	A74145000												
17	6	M0606303	Screw M8x25 UNI 5931	19	1	A94143800	Assy Shaft Winch 60 Central shaft W60 ST							
18	3	A74145000	Roller Bearing Ø95xØ107x26	1	1	S413880002	Washer Ø17.2xØ32x1.5							
19	1	A94143800	Assy Shaft Winch 60 Central shaft W60 ST					20			Winch Serial Number Sticker			
20			Winch Serial Number Sticker	21	1	S4155700A0	Stripper arm support							
21	1	S4155700A0	Stripper arm support											

\*Available with service kit; see website [www.harken.com](http://www.harken.com)

\*\*Winch product sticker

