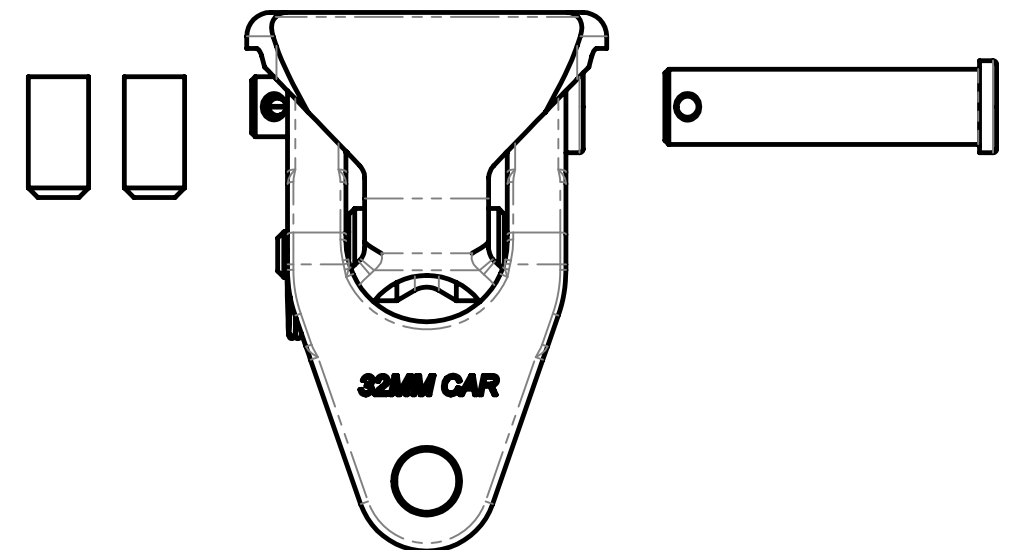
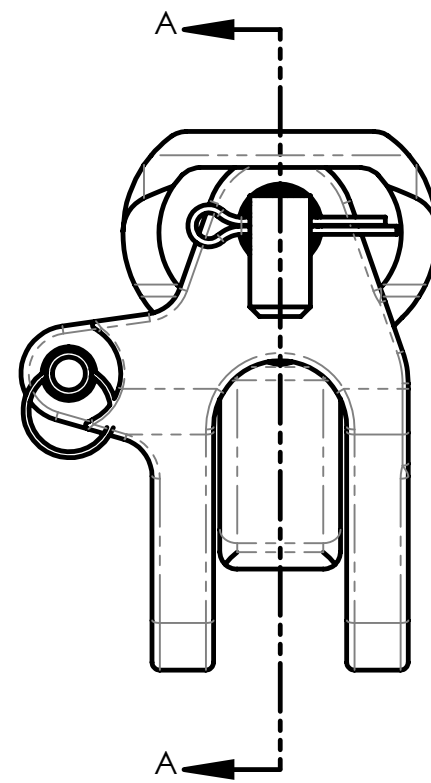
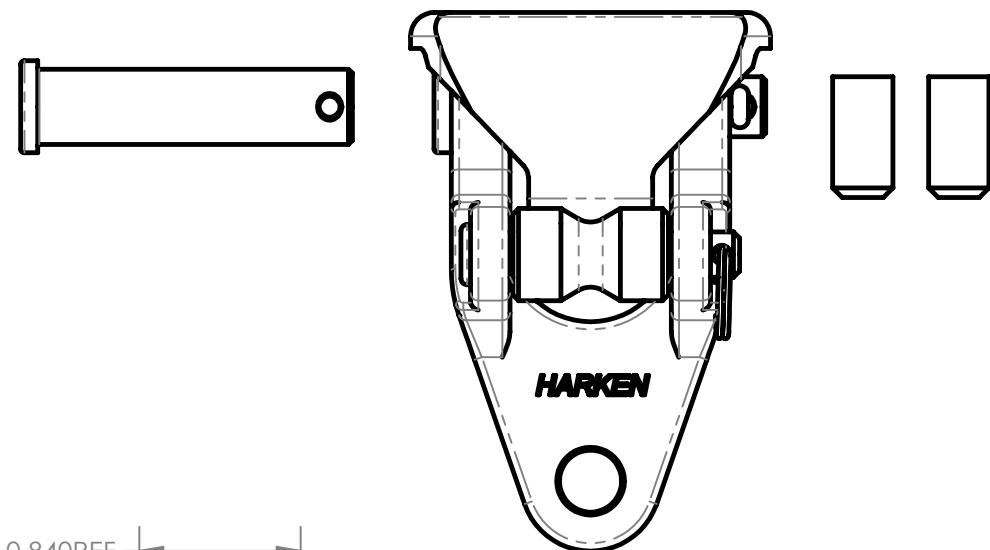
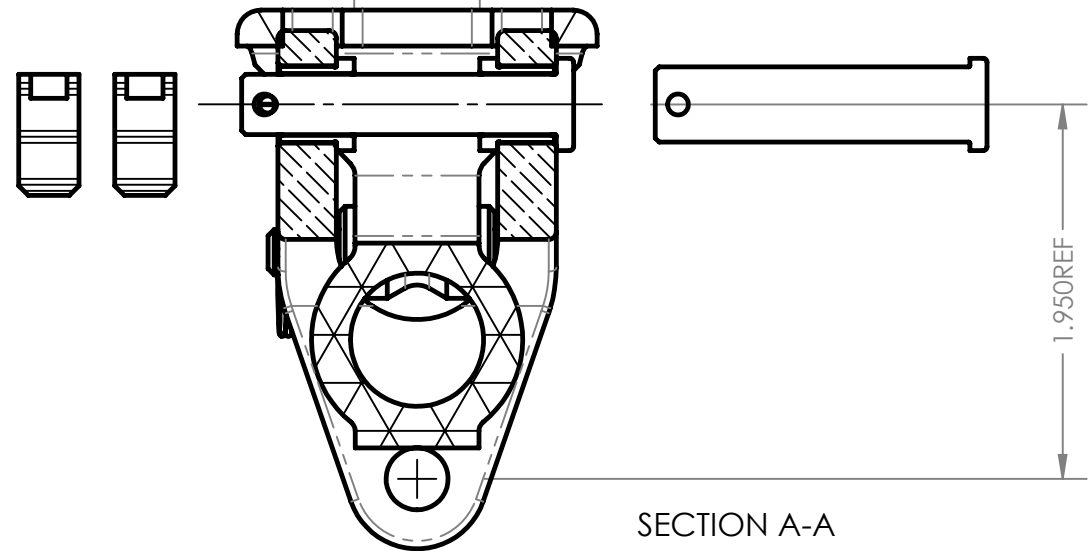



1.875REF



0.840REF
0.654REF



SECTION A-A

 INCORPORATED N15 W24983 Bluemound Road Pewaukee, Wisconsin 53072 Tel: 262-691-3320 Fax: 262-691-3807 www.harken.com	DIMENSIONS IN OVALS ARE KEY PRODUCT CHARACTERISTICS		TOGGLE W/SINGLE CONTROL BLOCK ASSEMBLY 32MM CAR		DRAWING NUMBER H-80313	REV. 0
	UNLESS OTHERWISE SPECIFIED: - DIMENSIONS IN INCHES - ALL DIMENSIONS PRIOR TO FINISHING - REMOVE ALL BURRS AND BREAK SHARP EDGES WITH 0.010 MAX RADIUS OR CHAMFER		MATERIAL: -		PART # 1949	
	TOLERANCES UNLESS OTHERWISE SPECIFIED: DECIMAL: ± - RADIUS: ± - HOLE DIA: ± - CHAMFER: ± - ANGULAR: ± - SURFACE FINISH: - √		FINISH: -		SHEET NUMBER: 1/1 SCALE: 1:1	
			© The designs, constructions, arrangements, disclosures and devices illustrated in presentations bearing this note are the property of Harken, Inc., Pewaukee, WI and are submitted in confidence with the understanding that such material shall not be utilized in any way by any party without prior written consent from Harken, Inc.		DRAWN BY: GH DATE: 5-31-18 ENG. APR: JJM DATE: 6-13-18 MFG. APR: MKE DATE: 6-20-18	