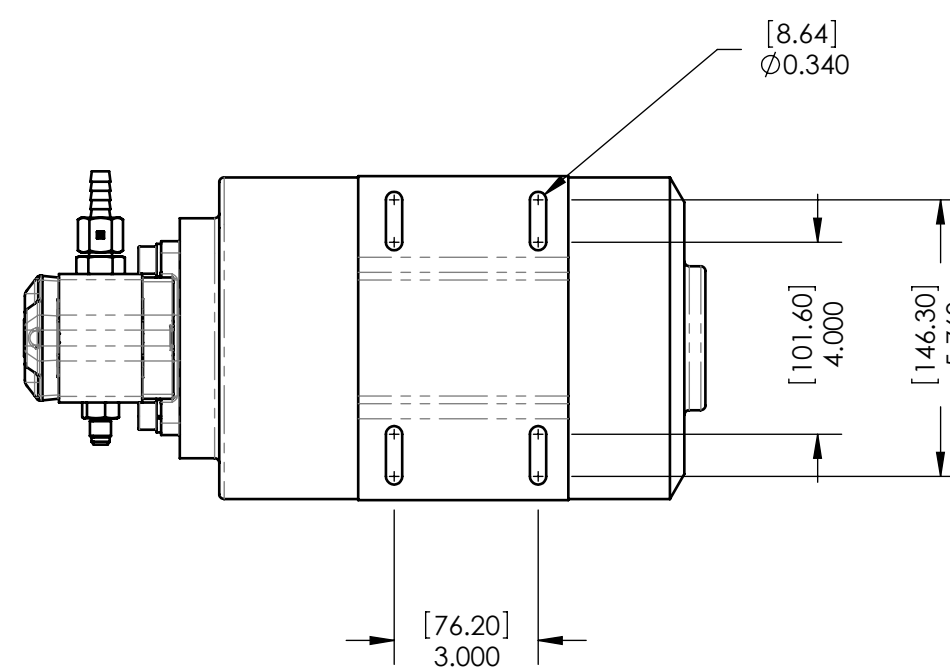
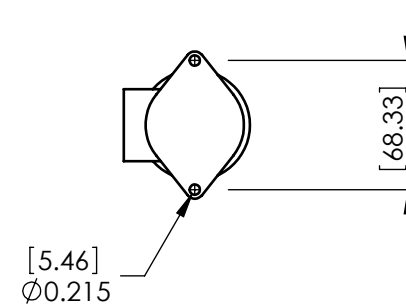
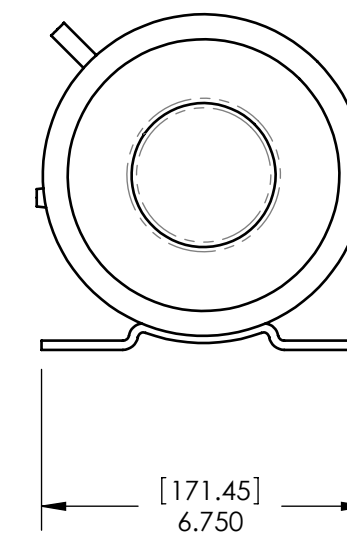
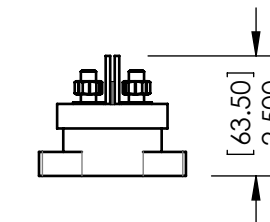
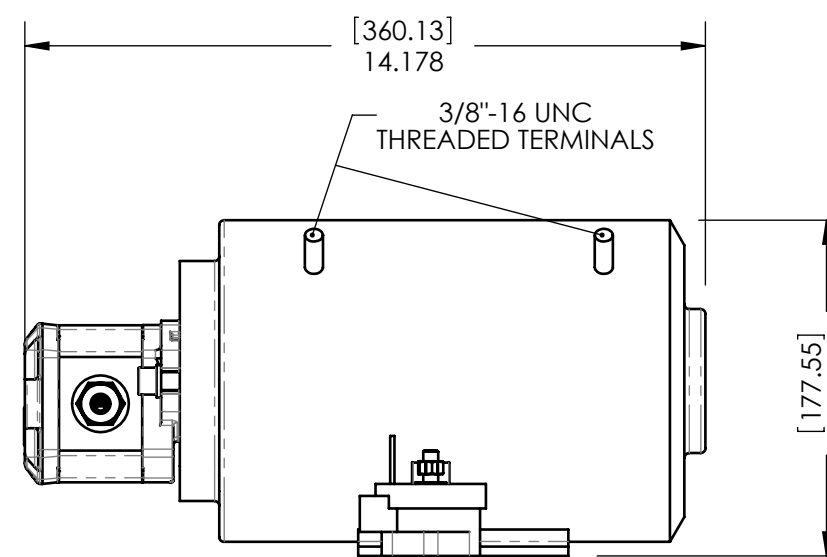
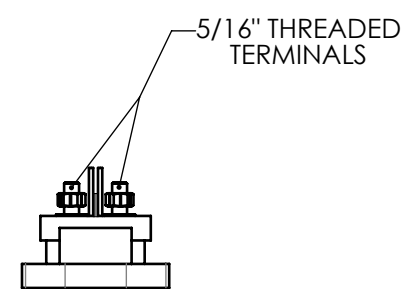
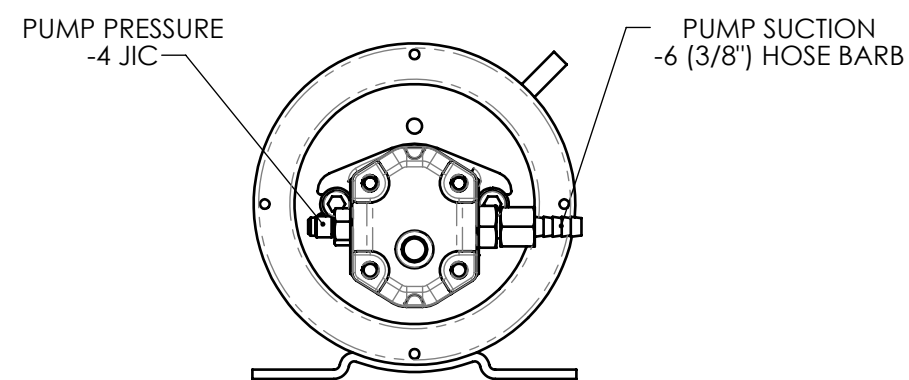
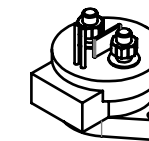
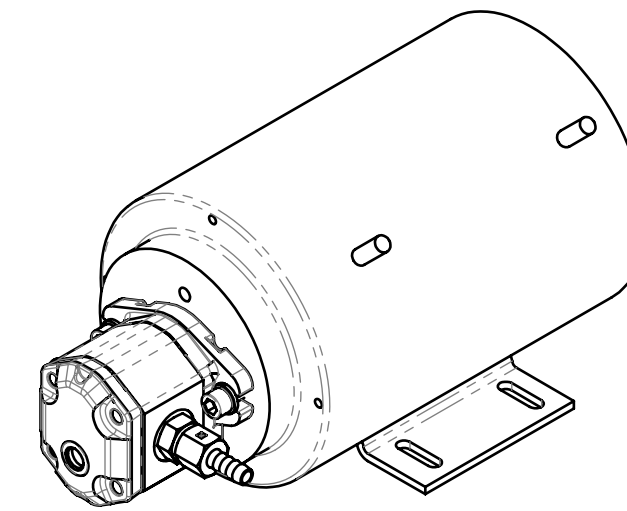


NOTES:

- INCLUDES WIRE, TERMINALS, AND SHRINK TUBE FOR 2' POWER SUPPLY CABLE FROM MOTOR CONTACTOR TO DC MOTOR
- UNIT WEIGHT: 52LBS [23.6KG]
- OPERATING PRESSURE/FLOW RATE/AMP DRAW
 - 3,000PSI (210 BAR); 1.4 GPM (5.4 L/min), 140 AMPS
 - 4,000PSI (275 BAR); 1.1 GPM (4.1 L/min), 162 AMPS
 - MAXIMUM - 5,000PSI (345 BAR), 0.5 GPM (2.0 L/min), 184 AMPS
- OIL RECOMMENDATION
 - AVERAGE AIR TEMP 21 °C / 70°F - ISO 32
 - AVERAGE AIR TEMP 32 °C / 90°F - ISO 46



HARKEN
INCORPORATED
N15 W24983 Bluemound Road
Pewaukee, Wisconsin 53072
Tel: 262-691-3320
Fax: 262-691-3807
www.harken.com

DIMENSIONS IN OVALS ARE KEY PRODUCT CHARACTERISTICS
UNLESS OTHERWISE SPECIFIED:
- DIMENSIONS IN INCHES
- ALL DIMENSIONS PRIOR TO FINISHING
- REMOVE ALL BURRS AND BREAK SHARP EDGES WITH 0.010 MAX RADIUS OR CHAMFER

TOLERANCES UNLESS OTHERWISE SPECIFIED:	
DECIMAL: ±	RADIUS: ±
HOLE DIA: ±	CHAMFER: ±
ANGULAR: ±	* SURFACE FINISH: ✓

HYDROHP
HIGH PRESSURE HYDRO POWER UNIT

MATERIAL: VARIOUS
FINISH: -

© The designs, constructions, arrangements, disclosures and devices illustrated in presentations bearing this note are the property of Harken, Inc. Pewaukee, WI and are submitted in confidence with the understanding that such material shall not be utilized in any way by any party without prior written consent from Harken, Inc.

DRAWING NUMBER	H-51190	REV.	3
PART #	HYDROHP	SHEET NUMBER:	2/2
		SCALE:	1:4
DRAWN BY:	MDS	DATE:	9/23/2009
ENG. APR:		DATE:	
MFG. APR:		DATE:	