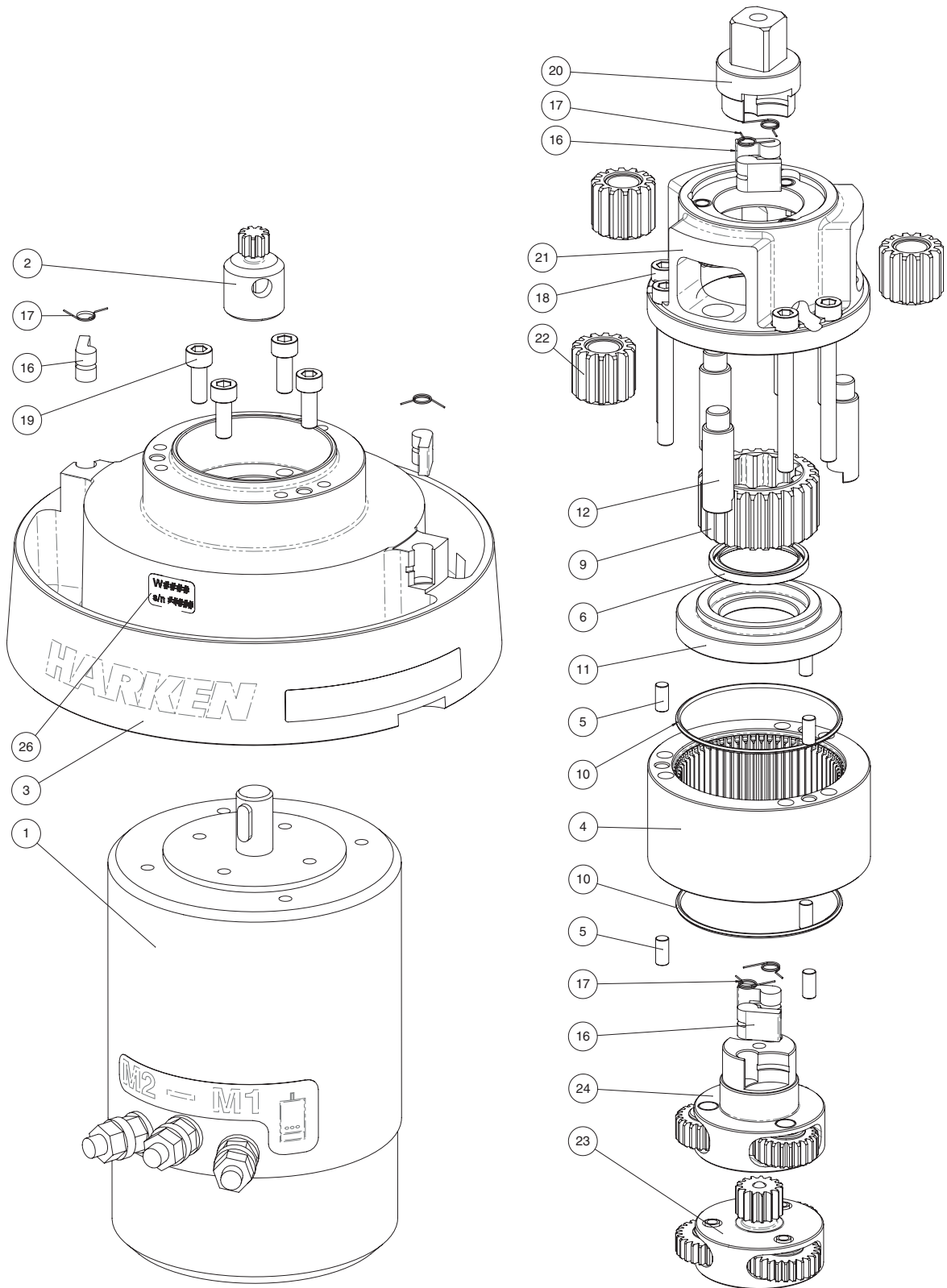




Winch Radial UniPower 900 A, C, CW, BBB, CCC



## UniPower 900 CW

CW = chrome/white

Pos.	Q.ty	Code	Description	Pos.	Q.ty	Code	Description	
1	1	A94953300	Kit Motor 0,7kW 12V Unipower 900	22	3	A94903900	Gear assembly Z=10	
	1	A96508600	Kit Motor 0,9kW 24V Unipower 900 <i>Electric motor</i>		1	S490390004	<i>Gear Z=14</i>	
	1	M6014206	<i>Polarity motor sticker</i> <i>Key DIN 6885 5x5x15</i>		1	M6017594	<i>Bushing Iigus GFM-121418-20</i>	
2	1	S490310004	Pinion Z=9	23	1	A94909800	First planetary assy <i>Gear Carrier</i> <i>Gear z=26</i> <i>Ball 3/16"</i> <i>Pin Ø6</i> <i>Bushing Iigus XSM-0608-10</i>	
3	1	A96726400W	Assy base Unipower 900 RAL9003 <i>Support Unipower 900</i>		24	1	A94910000	Second planetary assy <i>Pawl Carrier</i> <i>Gear Z=23</i> <i>Pin Ø8</i> <i>Bushing Iigus XSM 0810-12</i>
	1	S6620800A5W	<i>Skirt Unipower 900 RAL9003</i> <i>Winch Product Sticker**</i>					
4	1	S490340004	Ring gear Z=63	25	3	M6007103	Screw M6x50 UNI6107	
5	6	S450660003	Roller Ø5x10.5	26			Winch Serial Number Sticker	
6	1	M0648397	Seal Ø30xØ38x4 NBR	27	1	A94946100	Assy Unipower 900 C Drum <i>Drum Unipower 900 C</i> <i>Ball 3/16"</i>	
7	1	S4129400A0	Stripper arm support	28	1	A94907700W	Assy jaws Unipower 900 RAL9003 <i>Lower Jaw W50 RAL9003</i> <i>Upper jaw Unipower 900 RAL9003</i> <i>Peeler W46 - 50 RAL9003</i> <i>SPRING</i>	
8	1	S413440019	Stripper Arm W50					
9	1	S490780004	Gear Z=27	29	2	A74135100	Bearing Ø85xØ97x26	
10	2	M6004597	O Ring 2237	30	1	S413520080	Spacer	
11	1	S490800080	Flange	31	1	A94136400	Assy Socket W20-80 <i>Socket Handle W20/80</i> <i>Washer Ø7.7xØ25x5.8</i> <i>Screw M8x20 UNI 6109</i>	
12	3	S490810004	Pin Ø12					
13	1	S4908800A5W	Cover Unipower 900 RAL9003	1	S415130085			
14	4	M0601803	Screw UNI EN ISO 1207:1996 - M6x35 - A4	1	M0614303			
15	1	S281690097	Red line					
16	6	S000080003	Pawl Ø8*					
17	6	S000380001	Pawl Spring Ø8*					
18	6	M0606103	Screw M6x60 UNI5931					
19	4	M0635103	Socket head screw M6x16 UNI 5931					
20	1	S490960004	Pawls carrier					
21	1	A94904100	Gear carrier <i>Gear carrier</i> <i>Heli-coil M6x9</i>					
	3	S414890080	<i>Bushing Ø9xØ11x7</i>					

\*Available with service kit; see website [www.harken.com](http://www.harken.com)

\*\*Winch product sticker

