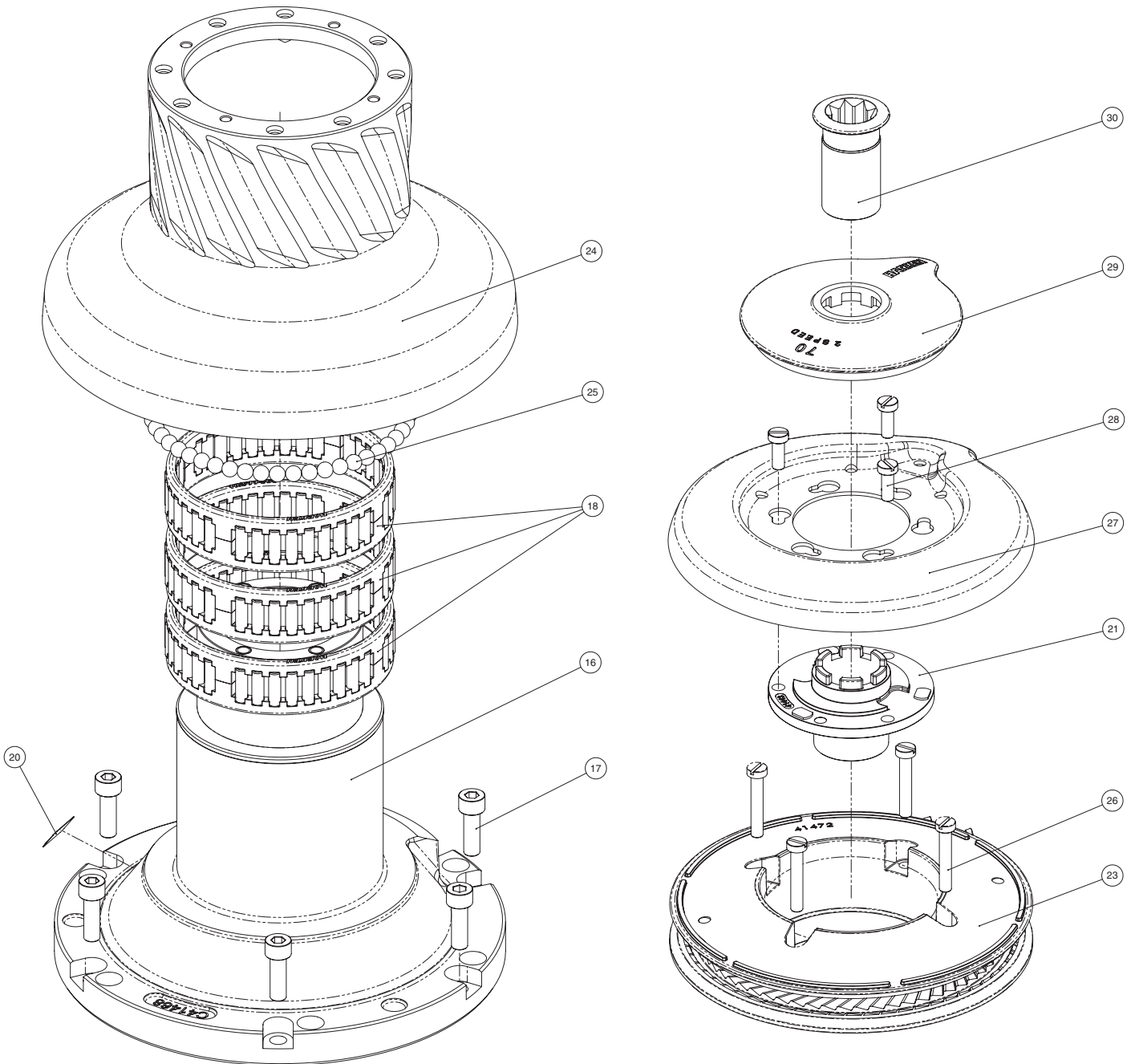
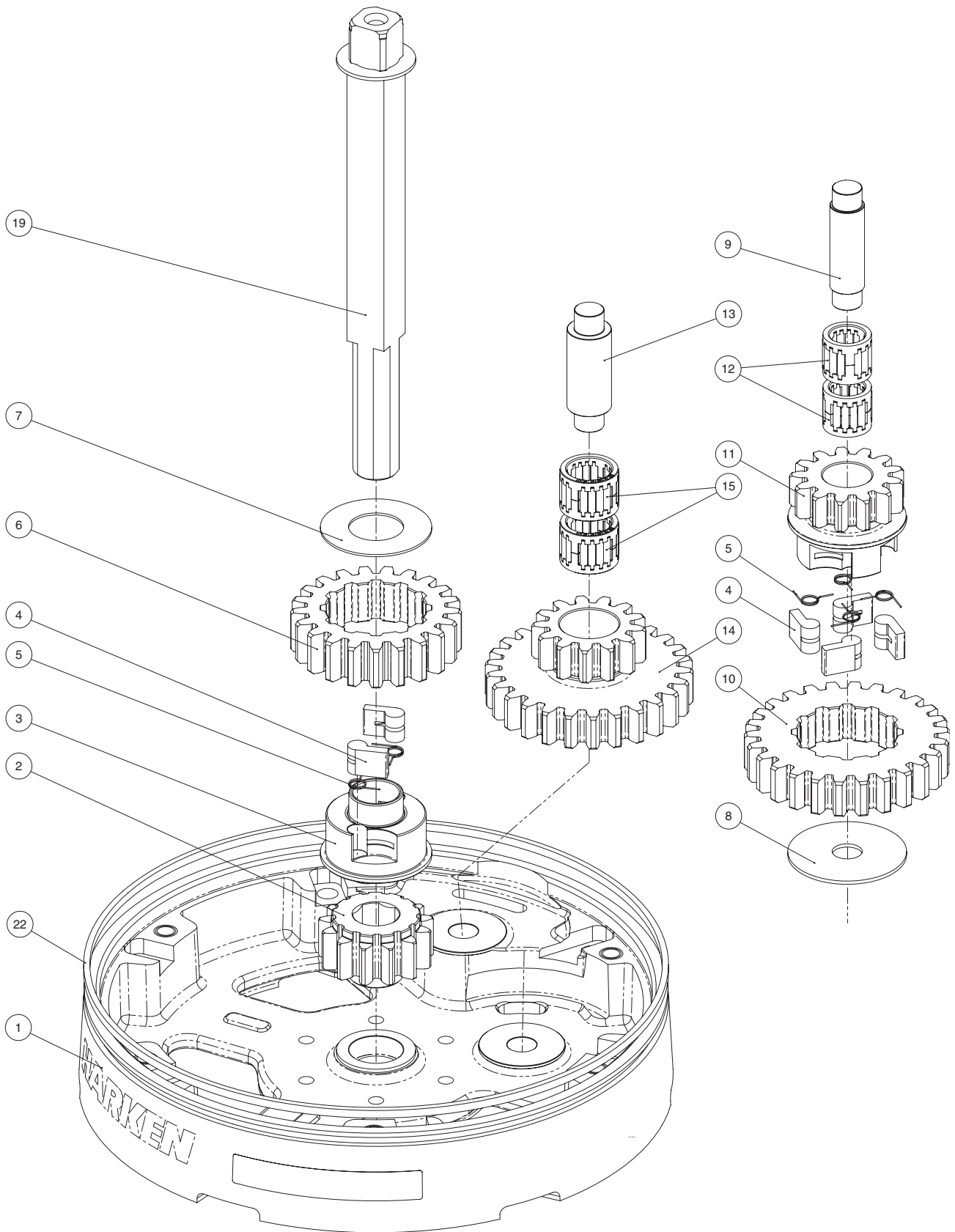


Exploded view

Radial Winch 70.2 STA, STC, STCW



Radial Winch 70.2 STA, STC, STCW

Parts List

Radial Winch 70.2 STA

A= drum in anodised aluminium

Pos.	Q.ty	Code	Description	Pos.	Q.ty	Code	Description
1	1	A94146700	Assy Base Winch 70 Base W70 Heli-coil M8x10	18	3	A74147500	Roller Bearing Ø102xØ114x26
	1	S476030004	Centering bushing Ø12	19	1	A94147900	Assy Shaft Winch 70 Central shaft W70 ST
	1	S4152300A7	Bushing Ø22xØ25x9.5		1	S413880002	Washer Ø17.2xØ32x1.5
	2	S415580085	Bushing Ø12xØ35x9 Winch Product Sticker**	20			Winch Serial Number Sticker
2	1	S414770004	Gear Z13 W70	21	1	S4144300A0	Stripper Arm support W60/70
3	1	S413030004	Pawls Carrier Ø8xN2	22	1	S281700097	Red line
4	6	S000080003	Pawl Ø8*	23	1	A94147100	Assy Jaws winch 70 Lower Jaw W70 Upper Jaw W70
5	6	S000380001	Pawl Spring Ø8*		1	S414850080	Peeler W60 - 70
6	1	S414390041	Ratchet Gear Z21xN2		4	S385970001	SPRING
7	1	S413120002	Washer Ø22.5xØ45x1	24	1	A74146900	Assy Drum Winch 70
8	1	S278170002	Washer Ø12.5xØ48x1.5	25	50	M0610280	Ball 5/16"
9	1	S281010004	Pin for gear	26	4	M0601803	Screw UNI EN ISO 1207:1996 - M6x35 - A4
10	1	S414420041	Ratchet Gear Z26xN4	27	1	S414730019	Stripper Arm W70
11	1	S414410004	Pawls Carrier Gear Z13 N4	28	3	M0601903	Screw M6x16 UNI1207
12	2	A72821800	Roller Bearing 14/20/18	29	1	S4160400B1	Cover 2 Speed W70
13	1	S416030004	Gear Pin Ø12xØ18x52,5	30	1	A94136400	Assy Socket W20-80 Socket Handle W20/80
14	1	S414760004	Idler and Pinion Z26/Z13 W70		1	S415130085	Washer Ø7.7xØ25x5.8
15	2	A74162300	Roll bearing 24x18x18		1	M0614303	Screw M8x20 UNI 6109
16	1	A94146800	Assy Housing Winch 70 Housing W70				
	2	S415580085	Bushing Ø12xØ35x9 Heli-coil M6x9 Support Bushing W70				
	1	S4130900A7	Bushing Ø22xØ25x8.5				
17	6	M0606303	Screw M8x25 UNI 5931				

*Available with service kit; see website www.harken.com

**Winch product sticker

