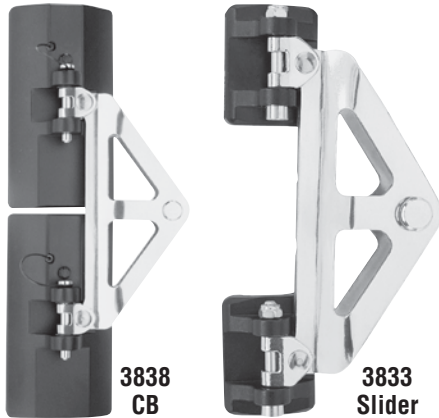


CB/Slider Systems

Parts List

Thank you for purchasing Harken's B Battcar system. Please read manual before assembling system.

Headboard Cars (Assembly)



Intermediate Cars



3839
CB

3836
Slider

Universal Battcar



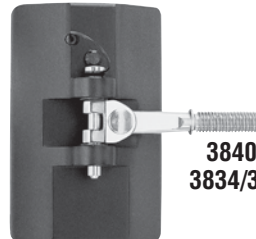
3842
CB

Reef Car



3843 - CB

Batten Cars without Receptacle



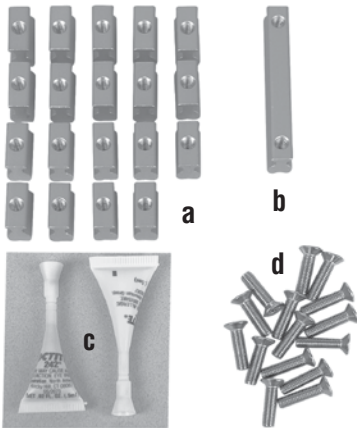
3840/3841 - CB
3834/3835 - Slider

You will need these tools:

- Tape Measure
- Phillips Screwdriver
- Power screwdriver
- Drill / Drill Bit: 17/64" (6.5 mm)
- Hex wrench: 5 mm
- Nut Driver: 10 mm or Open/Box Wrench
- Centerpunch / Hammer
- Putty knife / Hacksaw / File / Tape

Mast-Up Installation: Stepladder secured to the boat.
Work Height: 7' (2.13 m) above boom.

Track Mounting Kit 3845, 3846



Spare Car Screws

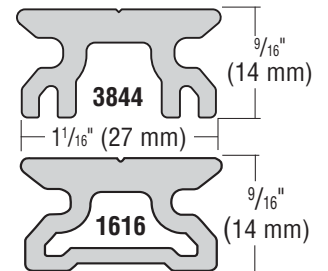


Screwpin Endstop Kits 3847, 3848



Endstop Kits
3850, 3851

Track (Mounting Slug Type)



Track (Drill and Tap Type)

CB/Slider System Parts

CB System Part No.	Slider System Part No.	Description	Comments
3838	3833	Headboard cars	
3839	3836	Intermediate cars	If battens are close enough intermediate cars are not needed.
3840	3834	Batten car	10 mm Threaded stud. Purchase batten receptacle separately.
3841	3835	Batten car	12 mm Threaded stud. Purchase batten receptacle separately.
3842	—	Universal Battcar	Purchase batten receptacle and threaded stud separately.
3843	—	Reef Tack car	Requires special track with closer hole spacing

Track and Accessories

Part No.	Description	Includes
3845, 3846	Track Mounting Kit	(a) 19 mounting slugs 7/8" (22 mm); (b) 1 connector slug 3" (76 mm); (c) 2 Tubes Blue Loctite®; (d) 21 HFS321 Flathead screws 6 x 20 mm.
3847 3848	Screwpin Endstop Kit	(e) 1 end track with screwpin stop; (f) 1 top stop slug 1 1/16" (36 mm); (g) 1 top endstop 1522A; (h) 1 mounting slug 7/8" (22 mm); (i) 2 HFS321 flathead screws 6 x 20 mm; (j) 2 HFS1037 flathead screws 6 x 30 mm; (k) 1 tube blue Loctite®.
3850, 3851	Endstop Kit	(g) 2 endstops 1522A; (i) 4 HFS1037 flathead screws 6 x 30 mm; (f) 2 stop slugs 1 1/16" (36 mm)
3844	Track (slug type)	Section length: 6'9 1/8" (2.06 m). Number of track sections depends on luff length of your mainsail.
1616	Track (drill and tap type)	Use for masts without grooves or when slugs will not fit. Purchase stainless steel 1/4" (6 mm) screws separately. Do not use 3844 track. It requires mounting slugs. See page 8 for drill/tap sizes and mounting instructions.