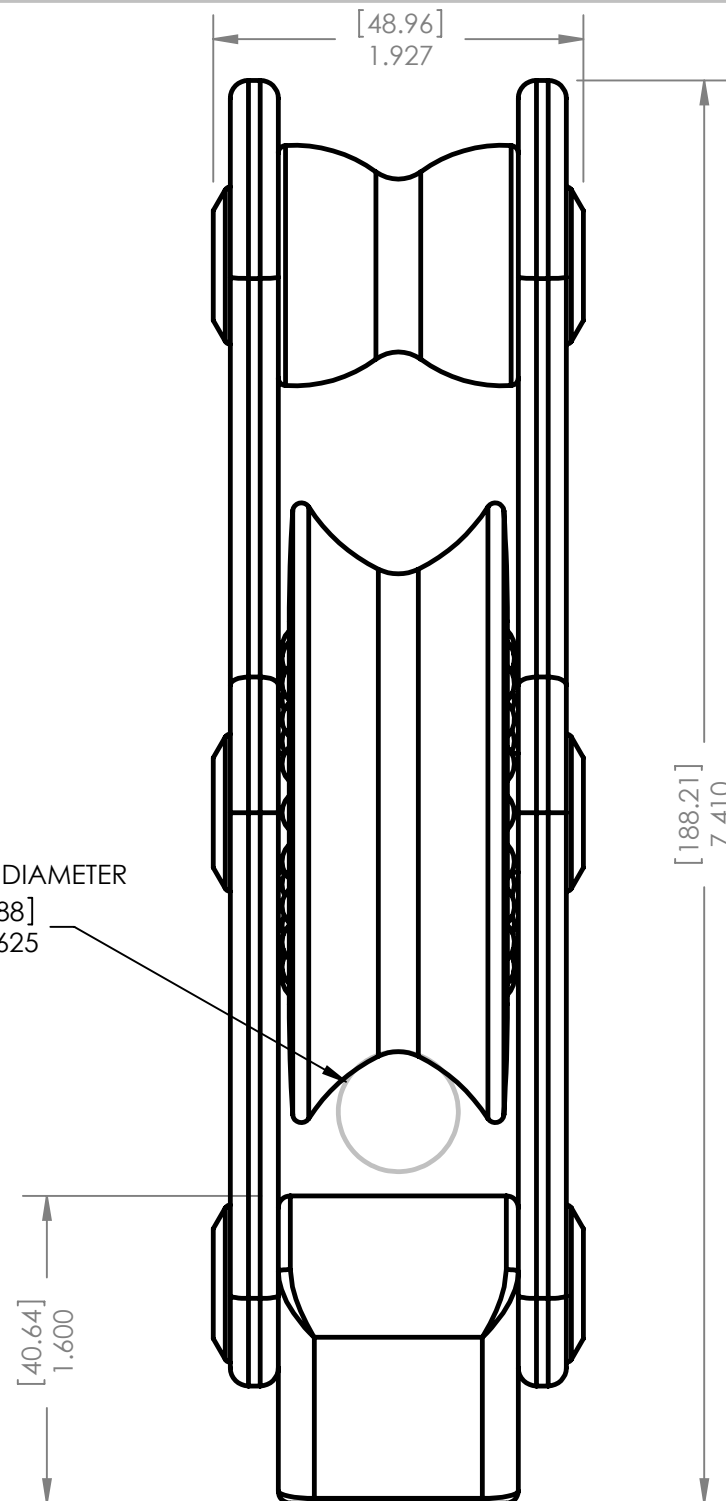
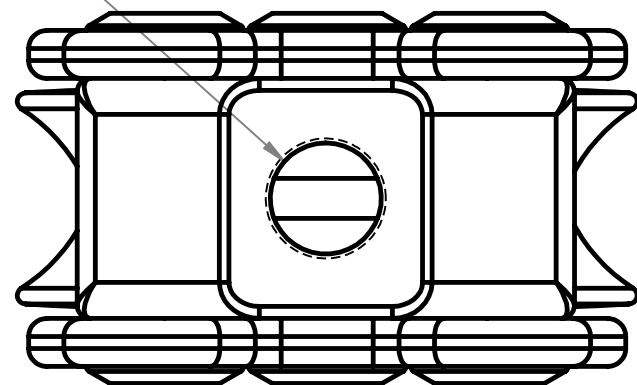


[82.00]  
Ø3.228

5/8-18 UNF THRU ALL



MAX LINE DIAMETER  
[15.88]  
Ø0.625

**HARKEN**

INCORPORATED  
1251 E. Wisconsin Avenue  
Pewaukee, Wisconsin 53072  
262-691-3320  
Fax: 262-691-3807

ALL DIMENSIONS IN INCHES	
TOLERANCES (EXCEPT AS NOTED)	
DECIMAL	ANGULAR
±	±
FRACTIONAL	HOLE DIAMETER
±	±

HYCBB16 ASSEMBLY	
HYD CYL BECKET BLOCK - 16mm ROD	
DRAWN BY NWP	MATERIAL VARIOUS
CHK'D	FINISH -
SCALE 1:1	

DRAWING NO.	HYCBB16
	HYCBB16
DATE	7/31/2009

© HARKEN YACHT EQUIPMENT DIVISION OF HARKEN, INC.

The designs, constructions, arrangements, disclosures and devices illustrated in presentations bearing this note are the property of Harken, Incorporated, Pewaukee, Wisconsin and are submitted in confidence with the understanding that such material shall not be utilized in any way by any party without prior written consent from Harken, Incorporated.