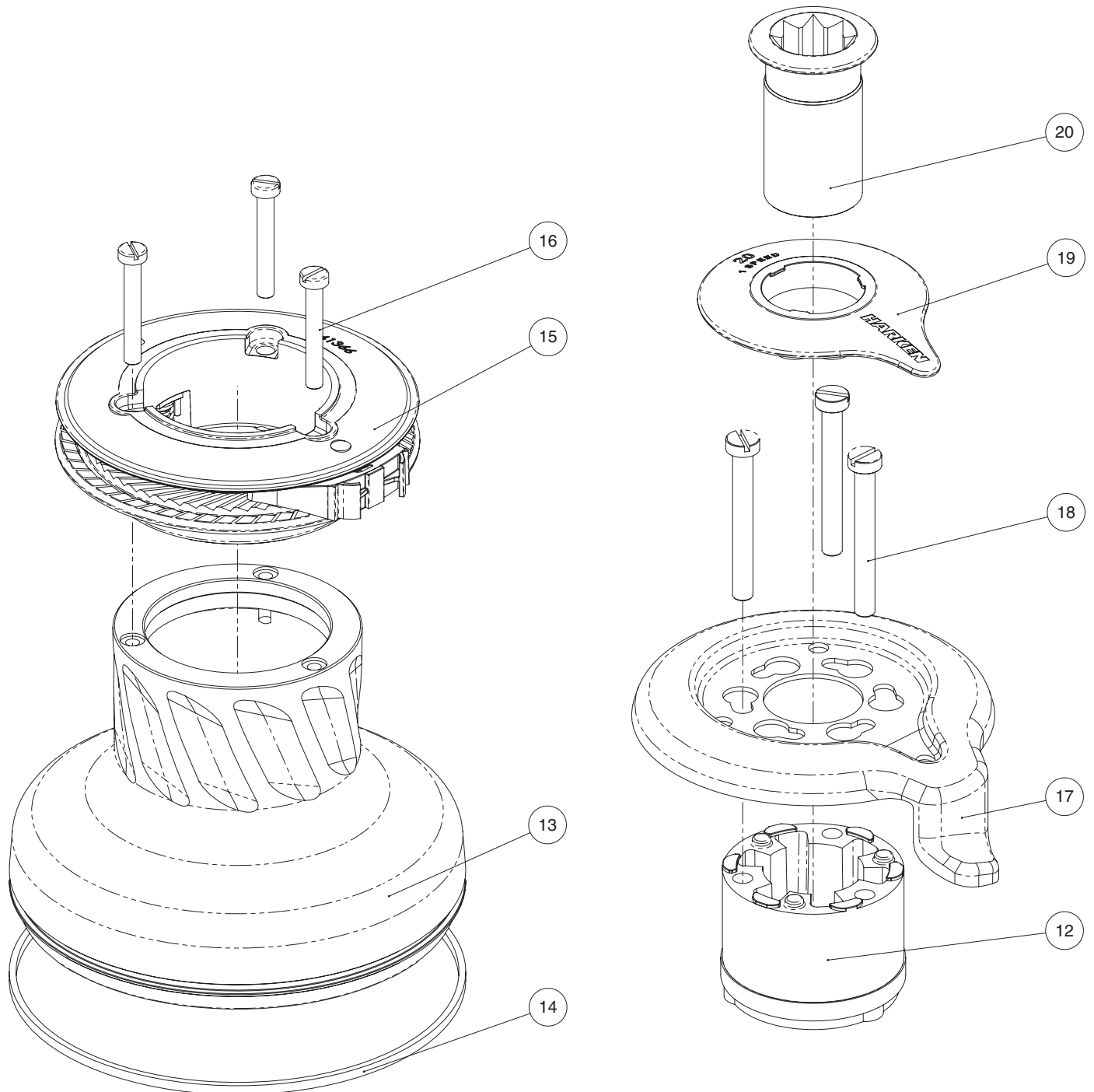
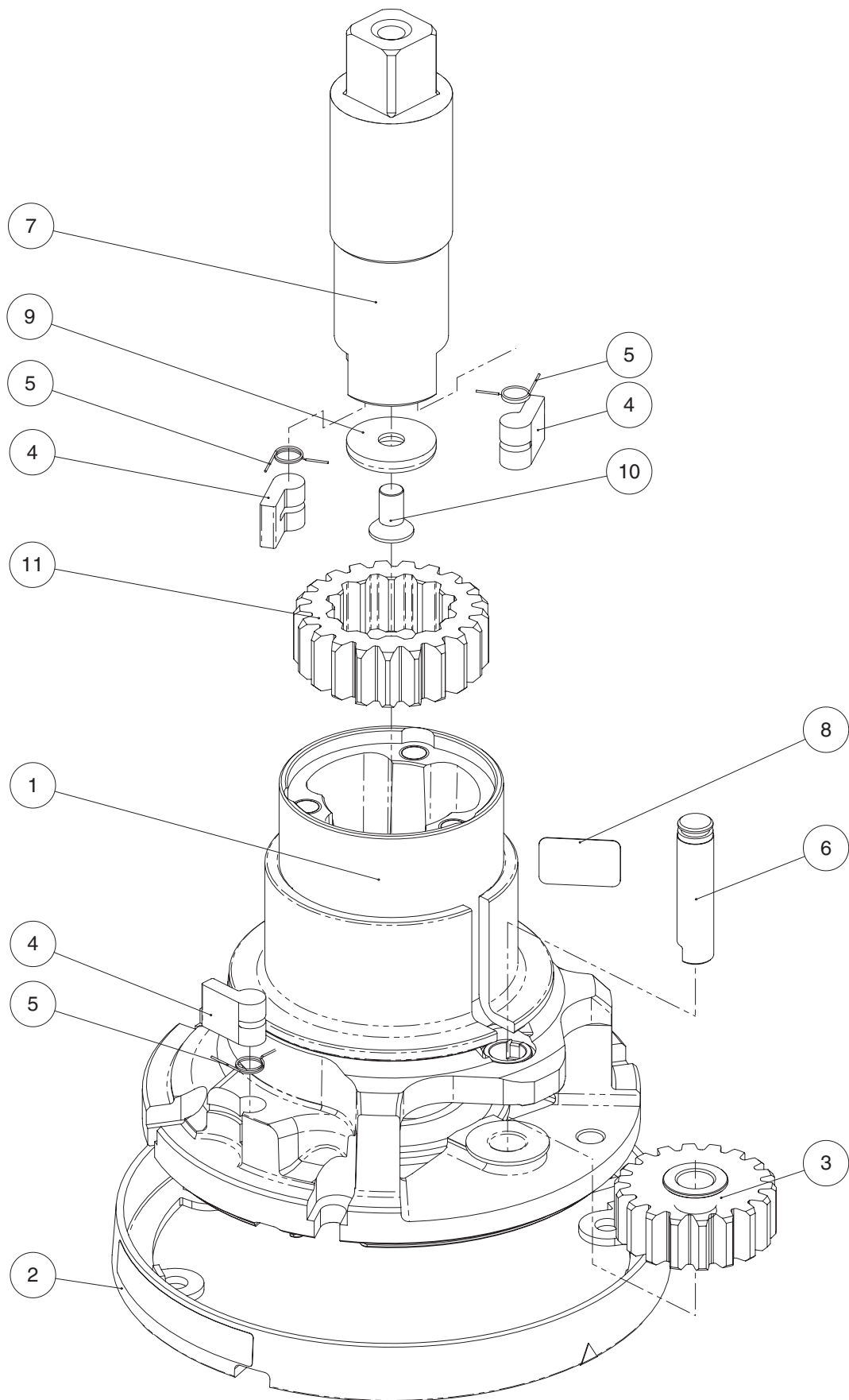


Exploded view

Radial Winch 20 STA, STC, STCW



Radial Winch 20 STA, STC, STCW

Parts List

Radial Winch 20 STA

A = drum in anodised aluminium

Pos.	Q.ty	Code	Description
1	1	A94136900	Assy Housing Winch 20
			<i>Housing W20</i>
	1	S413740085	<i>Bushing Ø9xØ11x9</i>
	1	S413960085	<i>Bushing Ø9xØ11x12</i>
			<i>Heli-coil M6x9</i>
	1	S413720080	<i>Bushing Ø55xØ62x34</i>
	1	S4137300B2	<i>Washer Ø33.5xØ58x5.5</i>
		S4137100A7	<i>Bushing Ø28xØ33x25</i>
2	1	A94138600	Assy Skirt Winch 20
			<i>Skirt W20</i>
			<i>Winch Product Sticker**</i>
3	1	A94136700	Assy Gear Z18
			<i>Gear Z18</i>
	2	S418730080	<i>Bushing Ø9xØ11x7</i>
4	4	S000080003	Pawl Ø8*
5	4	S000380001	Pawl Spring Ø8*
6	1	S413700004	Pin
7	1	S413630002	Shaft Winch 20
8			Winch Serial Number Sticker
9	1	S268890080	Washer
10	1	M0604003	Screw M6x12 UNI 5933
11	1	S413620041	Gear Z21
12	1	S4129400A0	Stripper arm support
13	1	S413560053	Drum W20
14	1	S281670097	Red line
15	1	A94136500	Assy Jaws Winch 20
			<i>Lower Jaw W20</i>
			<i>Upper Jaw W20</i>
			<i>Peeler W20 - 40</i>
	3	S385970001	<i>SPRING</i>
16	3	M6009103	Screw UNI EN ISO 1207:1996 - M5x35-A4
17	1	S413570019	Stripper Arm W20
18	3	M6007103	Screw M6x50 UNI6107
19	1	S4135800A5	Cover 1 Speed W20
20	1	A94136400	Assy Socket W20-80
			<i>Socket Handle W20/80</i>
			<i>Washer Ø7.7xØ25x5.8</i>
			<i>Screw M8x20 UNI 6109</i>
	1	S415130085	
	1	M0614303	

*Available with service kit; see website www.harken.com

**Winch product sticker

