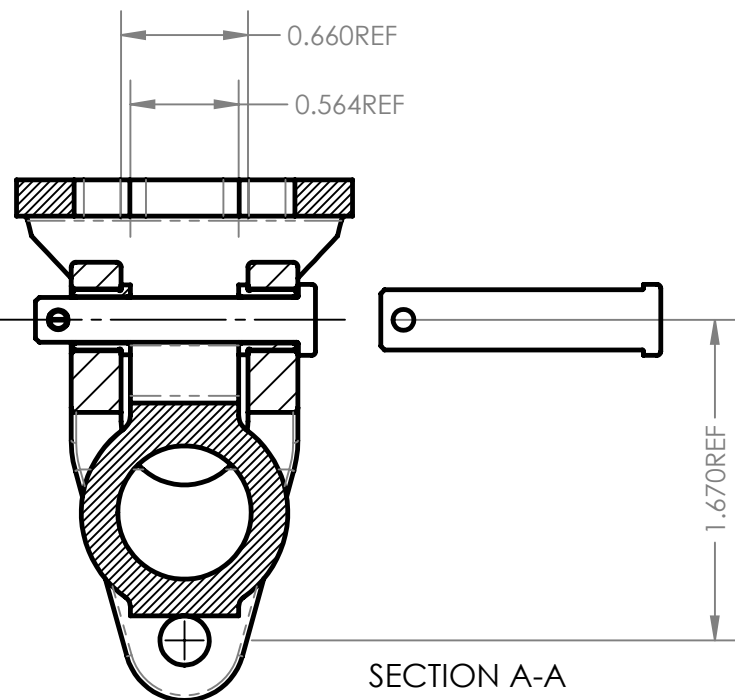
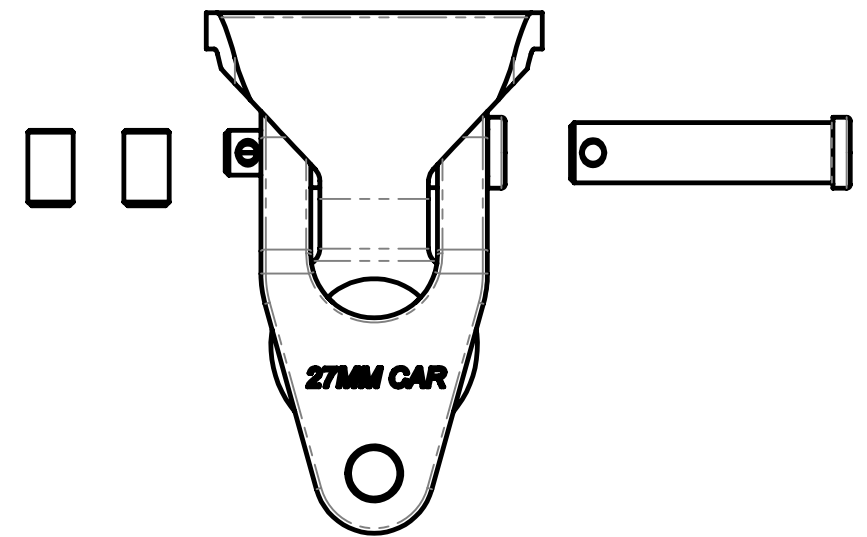
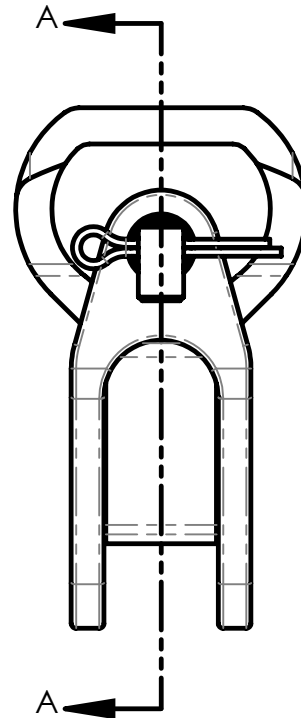
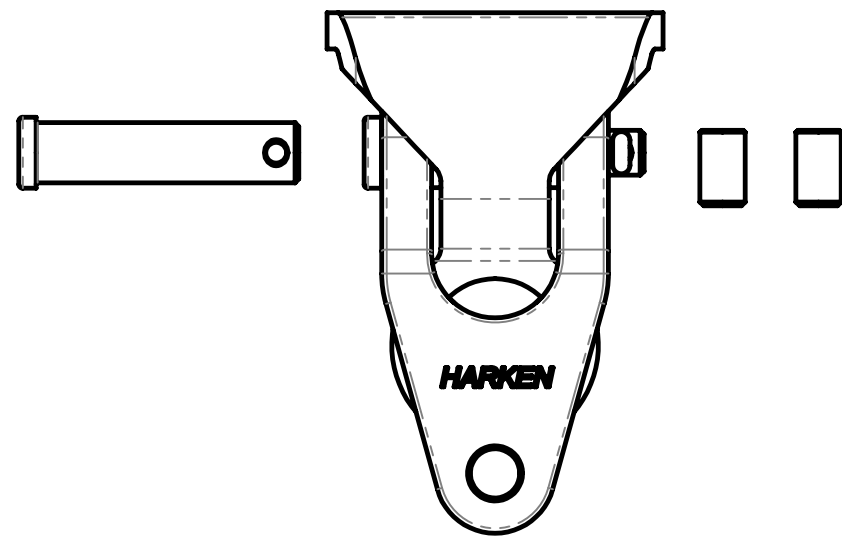


1.750REF



SECTION A-A

HARKEN
INCORPORATED

N15 W24983 Bluemound Road
Pewaukee, Wisconsin 53072
Tel: 262-691-3320
Fax: 262-691-3807
www.harken.com

DIMENSIONS IN OVALS ARE KEY
PRODUCT CHARACTERISTICS

UNLESS OTHERWISE SPECIFIED:
- DIMENSIONS IN INCHES
- ALL DIMENSIONS PRIOR TO FINISHING
- REMOVE ALL BURRS AND BREAK SHARP EDGES
WITH 0.010 MAX RADIUS OR CHAMFER

TOLERANCES UNLESS OTHERWISE SPECIFIED:
DECIMAL: ± - RADIUS: ± -
HOLE DIA: ± - CHAMFER: ± -
ANGULAR: ± - ° SURFACE FINISH: - √

TOGGLE ASSEMBLY
27MM CAR

MATERIAL: -
FINISH: -

© The designs, constructions, arrangements, disclosures and devices illustrated in presentations bearing this note are the property of Harken, Inc., Pewaukee, WI and are submitted in confidence with the understanding that such material shall not be utilized in any way by any party without prior written consent from Harken, Inc.

DRAWING NUMBER H-80168		REV. 0
PART # 1567		
SHEET NUMBER: 1/1	SCALE: 1:1	
DRAWN BY: GH	DATE: 5-10-18	
ENG. APR: JJM	DATE: 6-13-18	
MFG. APR: MKE	DATE: 6-20-18	