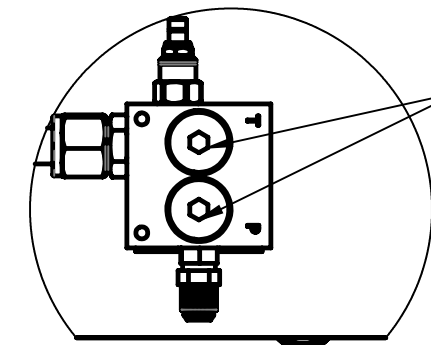
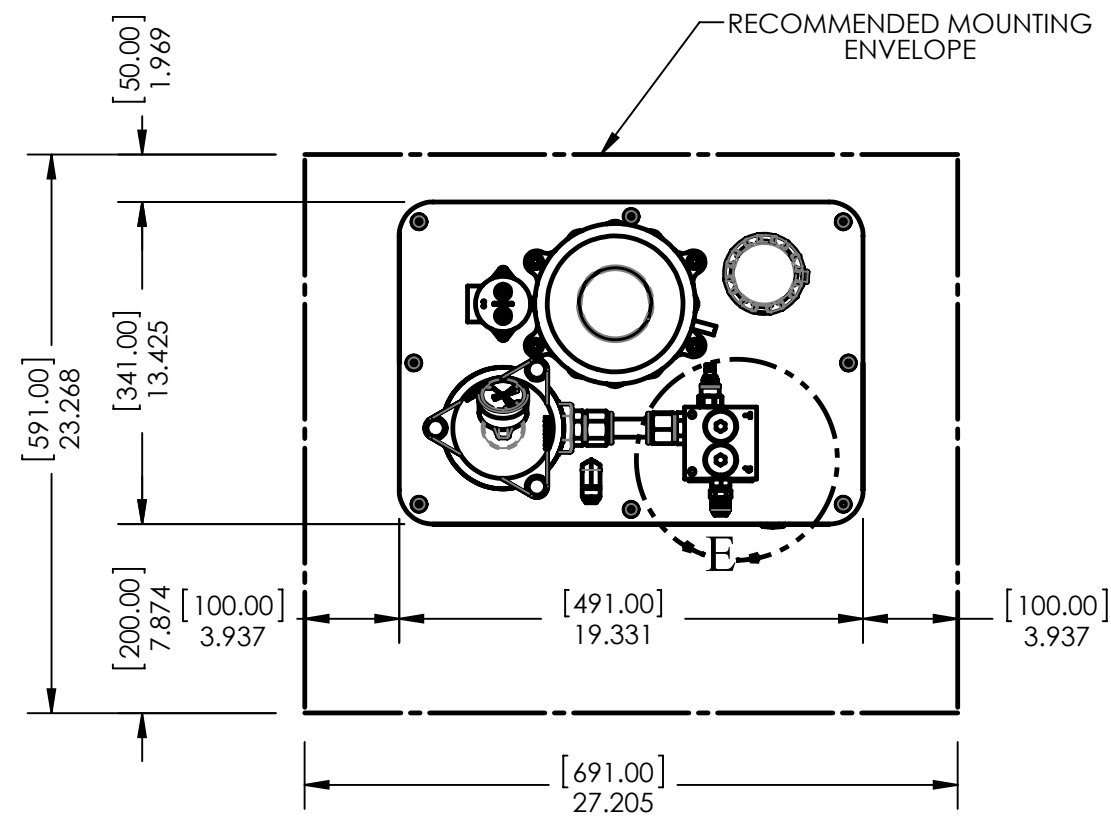
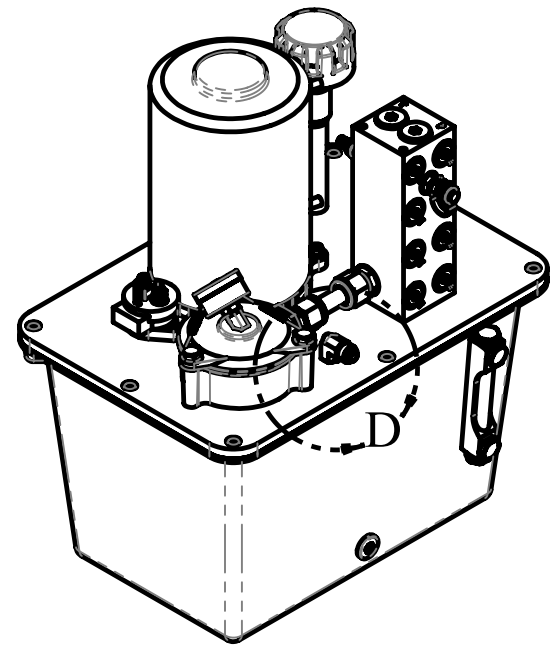


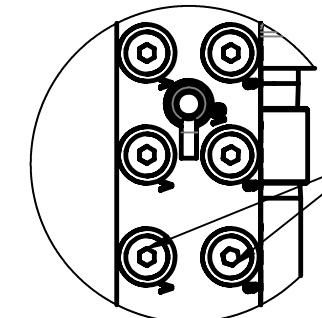
NOTES:

- OIL CAPACITY: 70L / 18.4GAL
- UNIT WEIGHT: 102LBS [46.1KG]
- OPERATING PRESSURE/FLOW RATE/AMP DRAW
 - RECOMMENDED - 2000PSI (140 BAR), 4 GPM (15 L/min), 210 AMPS/MOTOR
 - 2500PSI (170 BAR), 3.25 GPM (12.1 L/min), 259 AMPS/MOTOR
 - MAXIMUM - 3000PSI (210 BAR), 2.8 GPM (10.6 L/min), 295 AMPS/MOTOR
- OIL RECOMMENDATION
 - AVERAGE AIR TEMP 21 °C / 70 °F - ISO 32
 - AVERAGE AIR TEMP 32 °C / 90 °F - ISO 46
- REPLACEMENT FILTER PART #HYFETH10



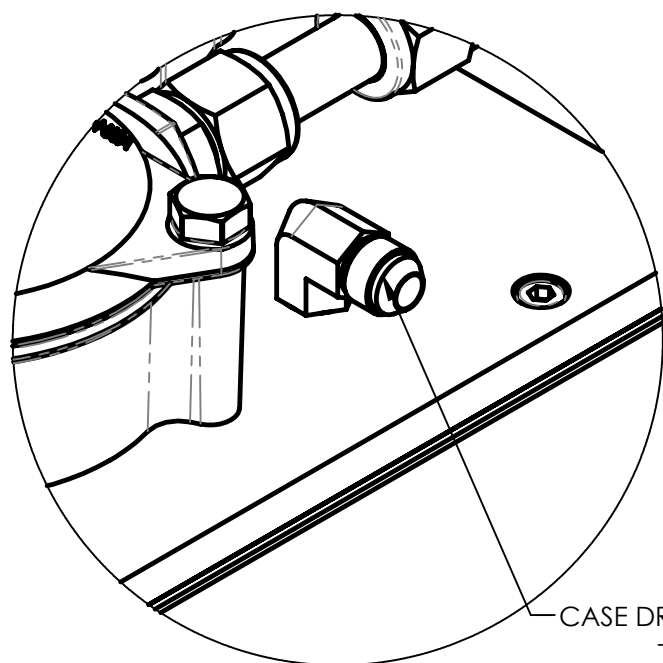
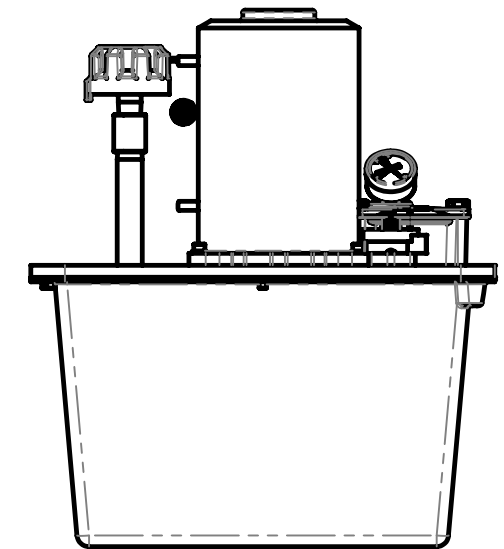
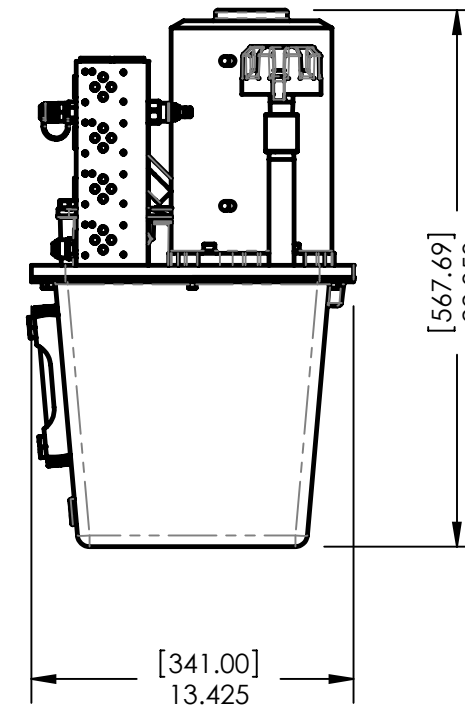
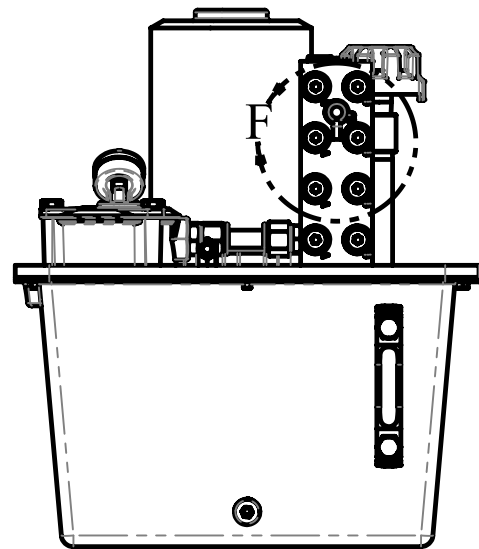
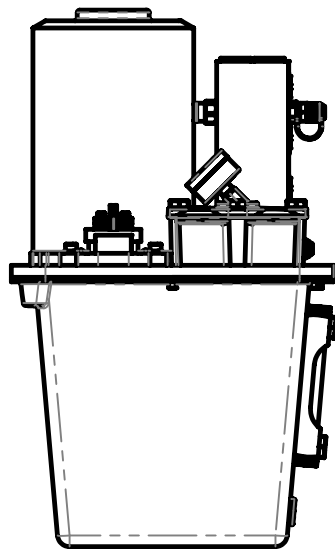
DETAIL E
SCALE 1 : 4

P&T PORTS
-10 SAE



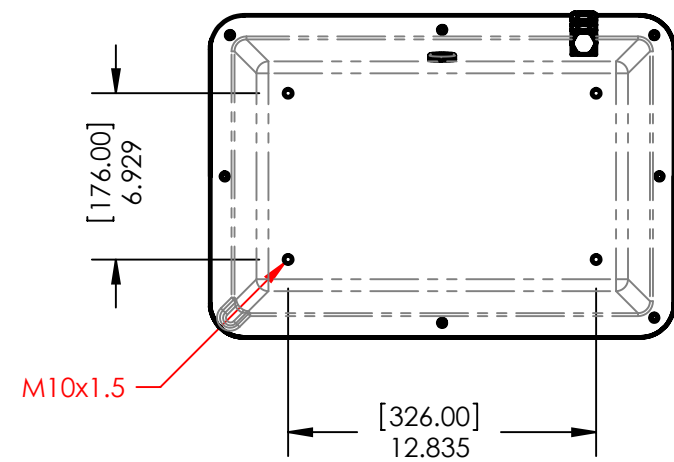
DETAIL F
SCALE 1 : 4

A&B PORTS
-8 SAE



DETAIL D
SCALE 1 : 2

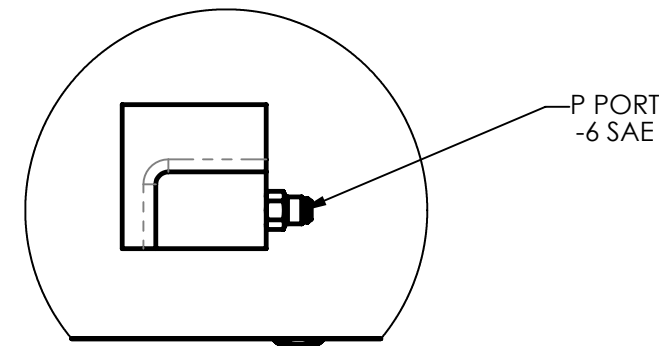
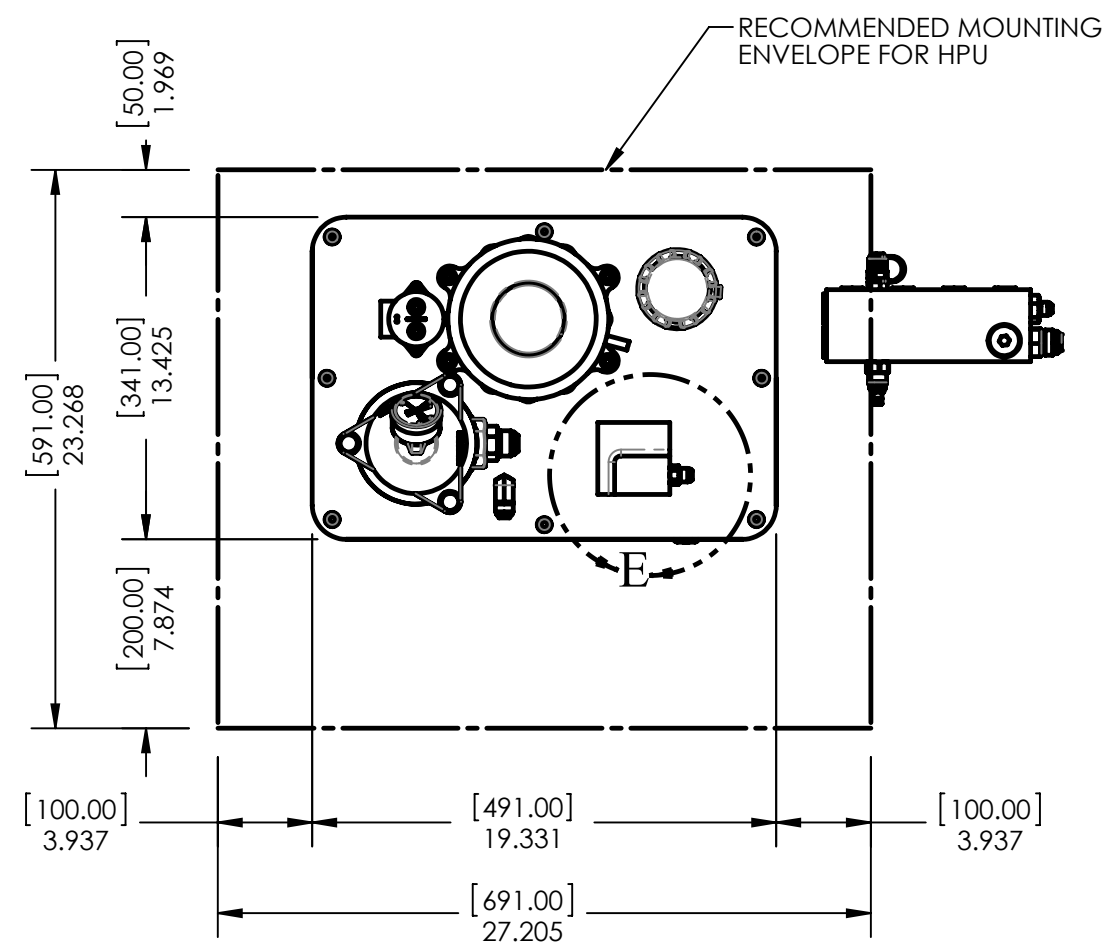
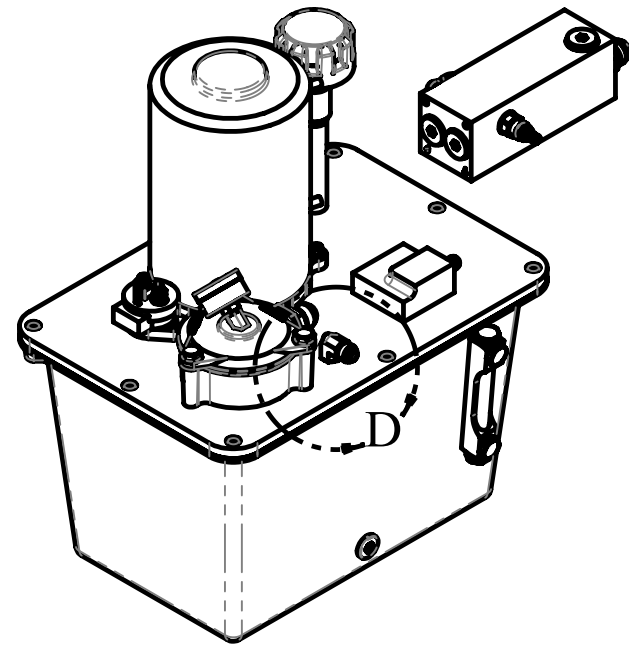
CASE DRAIN RETURN
-8JIC



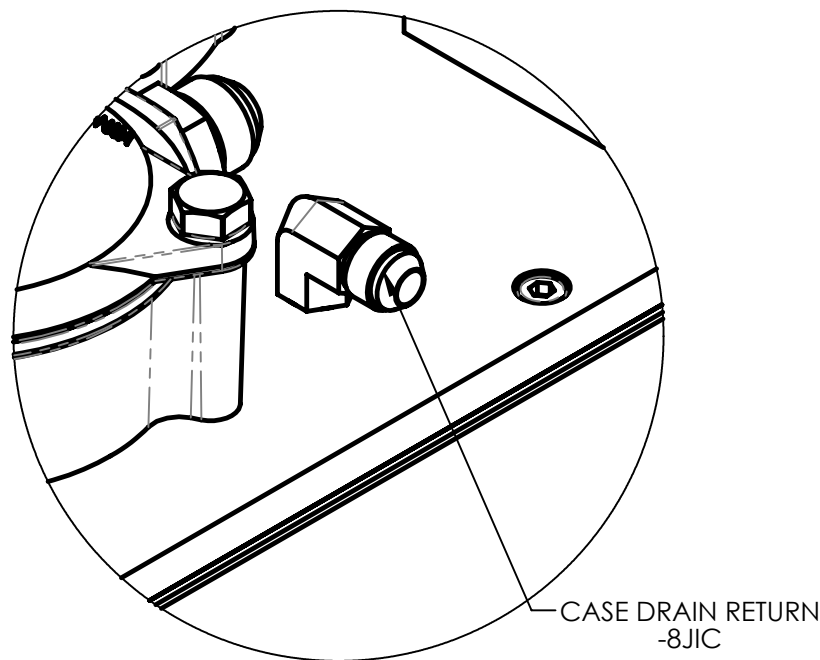
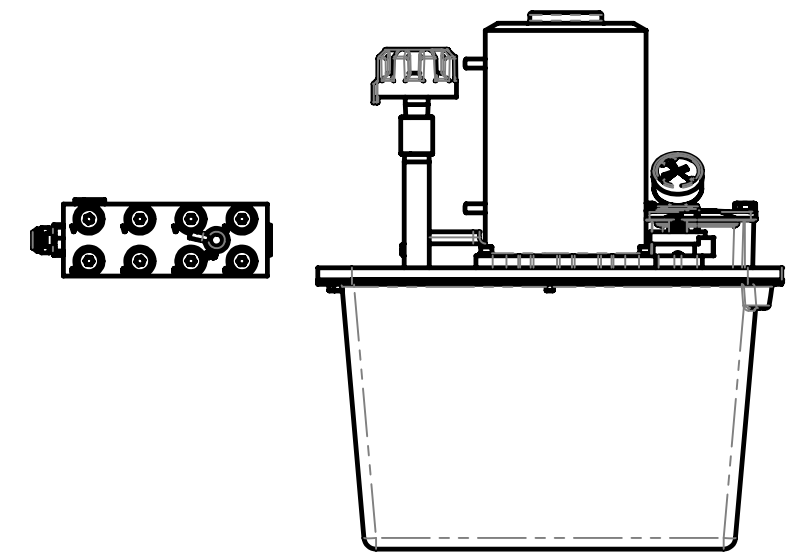
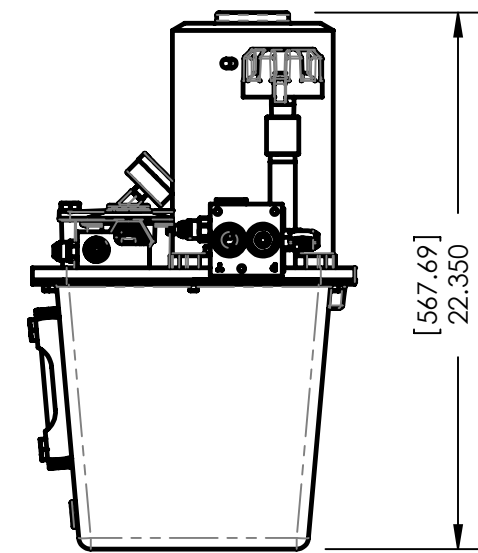
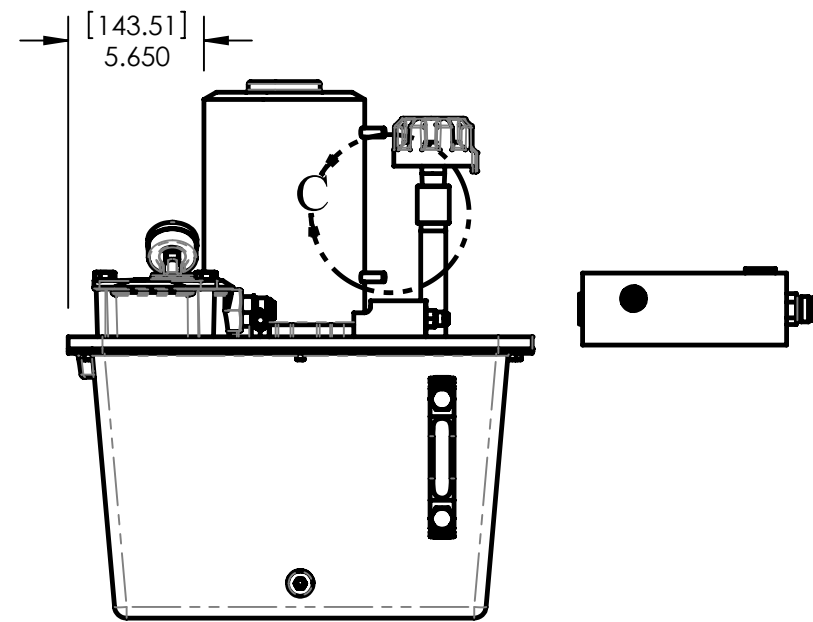
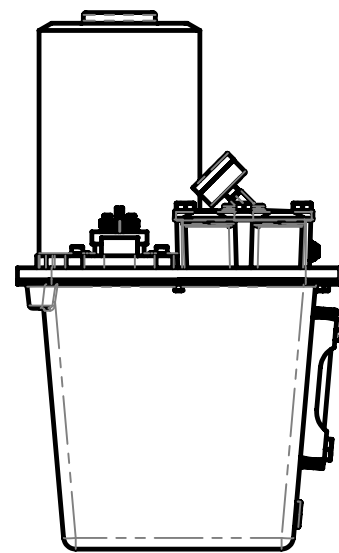
HARKEN INCORPORATED N15 W24983 Bluemound Road Pewaukee, Wisconsin 53072 Tel: 262-691-3320 Fax: 262-691-3807 www.harken.com	DIMENSIONS IN OVALS ARE KEY PRODUCT CHARACTERISTICS UNLESS OTHERWISE SPECIFIED: DIMENSIONS IN INCHES - ALL DIMENSIONS PRIOR TO FINISHING - REMOVE ALL BURRS AND BREAK SHARP EDGES WITH 0.010 MAX RADIUS OR CHAMFER	BASE ASSY HYDRO 1 POWER UNIT		DRAWING NUMBER H-51332	REV. 2
	TOLERANCES UNLESS OTHERWISE SPECIFIED: DECIMAL: ± RADIUS: ± HOLE DIA: ± CHAMFER: ± ANGULAR: ± SURFACE FINISH: ✓	MATERIAL: VARIOUS FINISH: -	PART # HYDRO1BASE SHEET NUMBER: 2/2 SCALE: 1:8 DRAWN BY: MDS DATE: 1/21/2010 ENG. APR: CJL/KEL DATE: 9/20/2010 MFG. APR: DATE:		© The designs, constructions, arrangements, disclosures and devices illustrated in presentations bearing this note are the property of Harken, Inc. Pewaukee, WI and are submitted in confidence with the understanding that such material shall not be utilized in any way by any party without prior written consent from Harken, Inc.

NOTES:

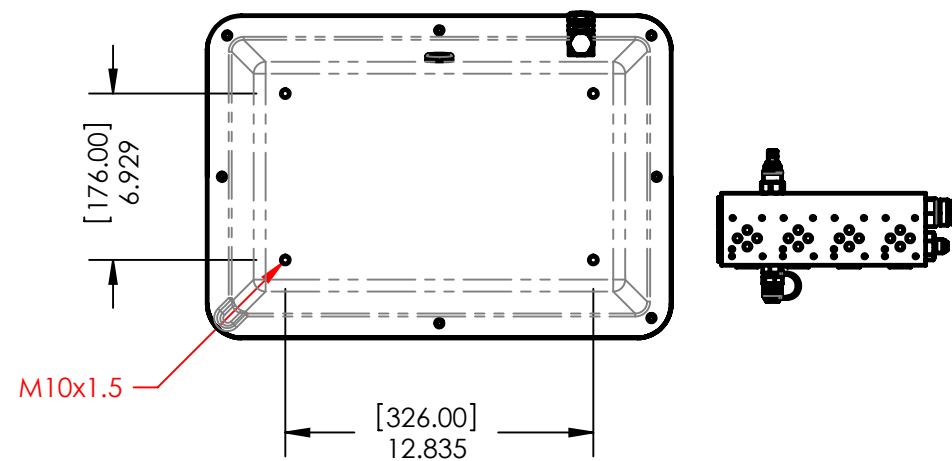
- OIL CAPACITY: 70L / 18.4GAL
- UNIT WEIGHT: 89LBS [40.5KG]
- OPERATING PRESSURE/FLOW RATE/AMP DRAW
 - RECOMMENDED - 2000PSI (140 BAR), 4 GPM (15 L/min), 210 AMPS/MOTOR
 - 2500PSI (170 BAR), 3.25 GPM (12.1 L/min), 259 AMPS/MOTOR
 - MAXIMUM - 3000PSI (210 BAR), 2.8 GPM (10.6 L/min), 295 AMPS/MOTOR
- OIL RECOMMENDATION
 - AVERAGE AIR TEMP 21 °C / 70°F - ISO 32
 - AVERAGE AIR TEMP 32 °C / 90°F - ISO 46
- REPLACEMENT FILTER PART #HYFETH10



DETAIL E
SCALE 1 : 4

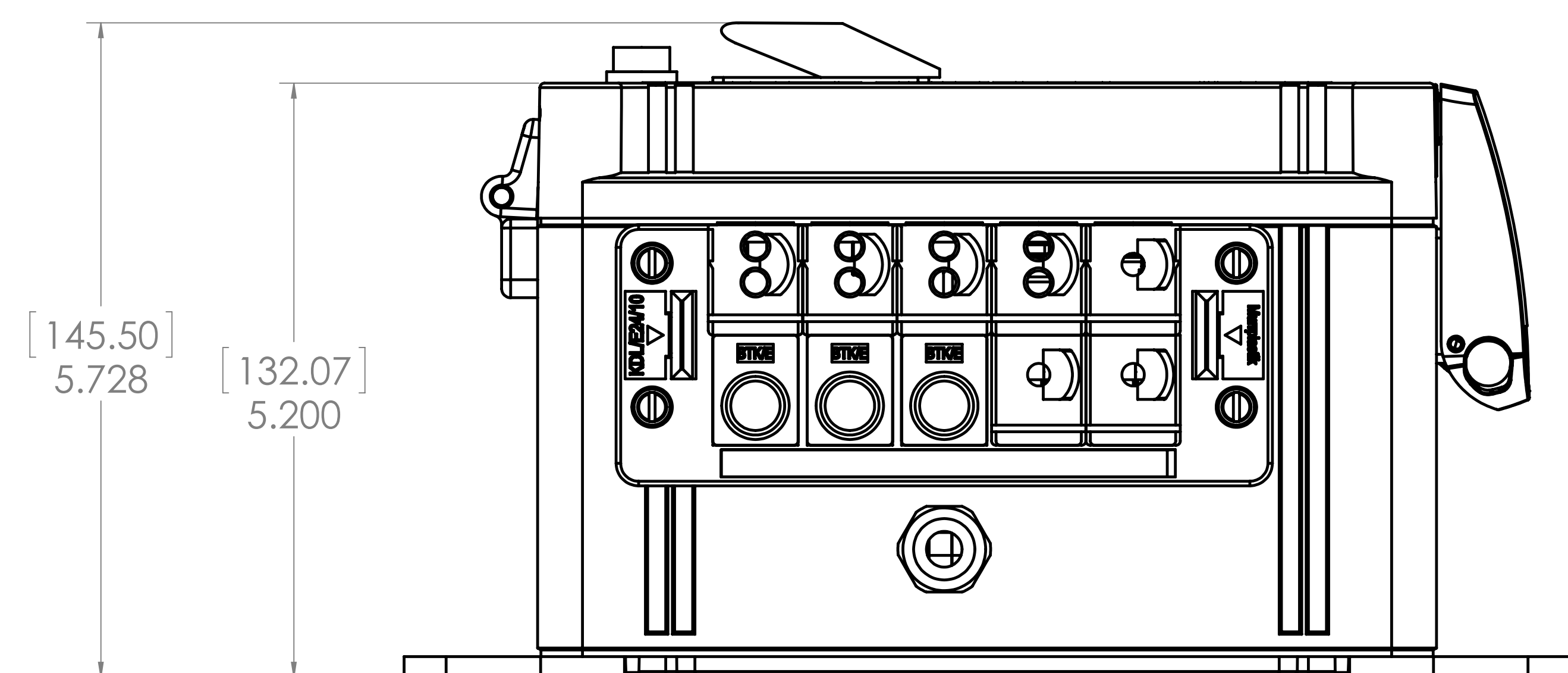
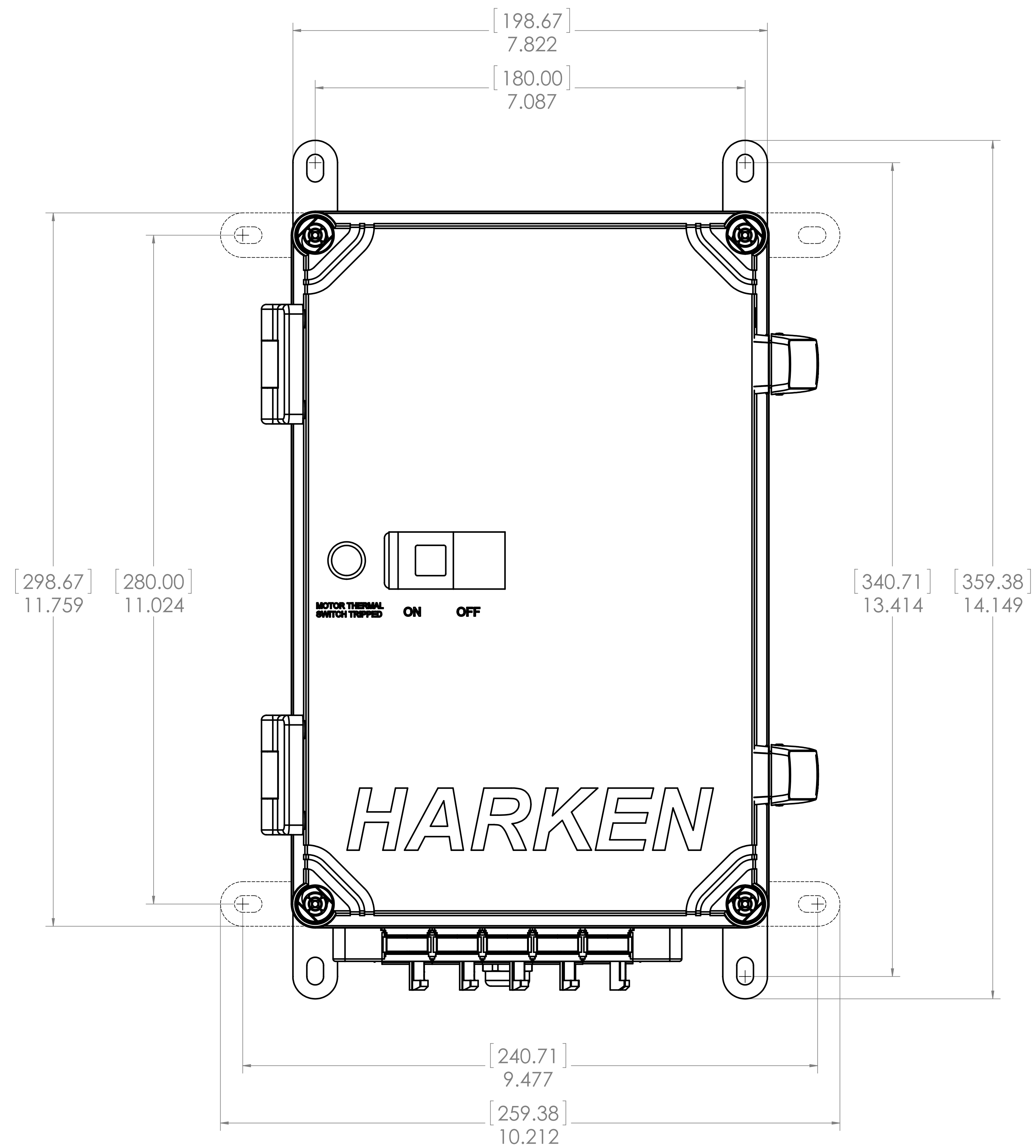


DETAIL D
SCALE 1 : 2



HARKEN INCORPORATED N15 W24983 Bluemound Road Pewaukee, Wisconsin 53072 Tel: 262-691-3320 Fax: 262-691-3807 www.harken.com	DIMENSIONS IN OVALS ARE KEY PRODUCT CHARACTERISTICS DIMENSIONS IN INCHES UNLESS OTHERWISE SPECIFIED: - ALL DIMENSIONS PRIOR TO FINISHING - REMOVE ALL BURRS AND BREAK SHARP EDGES WITH 0.010 MAX RADIUS OR CHAMFER	REMOTE BASE ASSY HYDRO 1 POWER UNIT		DRAWING NUMBER H-52736	REV. 2
	TOLERANCES UNLESS OTHERWISE SPECIFIED: DECIMAL: ± RADIUS: ± HOLE DIA: ± CHAMFER: ± ANGULAR: ± SURFACE FINISH: ✓	MATERIAL: VARIOUS FINISH: -	PART # HYDRO1REMOTEBASE		SHEET NUMBER: 2/2 SCALE: 1:8

© The designs, constructions, arrangements, disclosures and devices illustrated in presentations bearing this note are the property of Harken, Inc. Pewaukee, WI and are submitted in confidence with the understanding that such material shall not be utilized in any way by any party without prior written consent from Harken, Inc.



SHEET 3 OF 3

HARKEN INCORPORATED N15 W24983 Bluemound Rd. Pewaukee, Wisconsin 53072 Tel: 262-691-3300 Fax: 262-691-3807 www.harken.com	DIMENSIONS IN OVALS ARE KEY PRODUCT CHARACTERISTICS DIMENSIONS UNLESS SPECIFIED DIMENSIONS UNLESS OTHERWISE SPECIFIED REMOVE ALL BURRS AND BREAK SHARP EDGES WITH 0.010 MAX RADIUS OF CHAMFER UNLESS OTHERWISE SPECIFIED TOLERANCES UNLESS OTHERWISE SPECIFIED: DECIMAL ± .005 ANGULAR ± .5° HOLE DIA ± .005 SURFACE FINISH	HYDRO-ELECTRICAL CONTROL BOX UNIT 1 HYDRO POWER UNITS	DRAWING NUMBER H-58029	REV 1
		MATERIAL: VARIOUS	PART # HYDROTECH	SCALE: 1:1